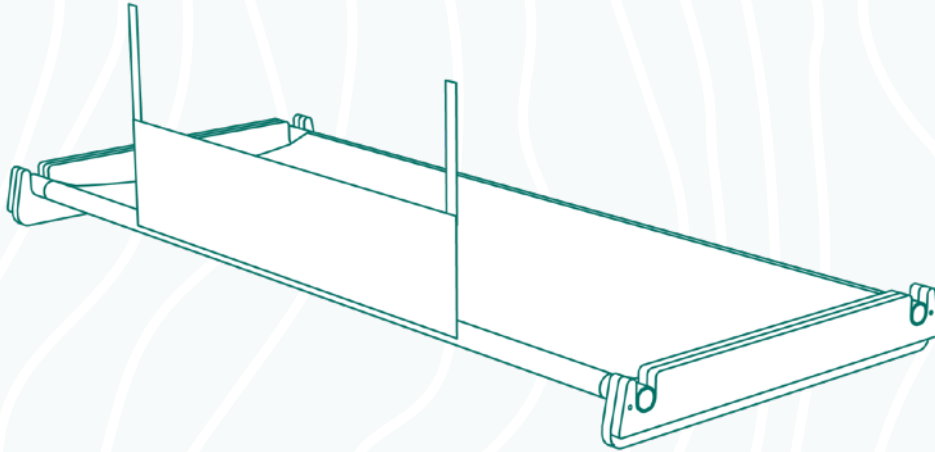


RIBBLE BUNK - SINGLE



STANDARD UNIT

Feature	Details	Size
Frame	18mm Oak Plywood Supports	735x36x110mm (width, depth, height)
Bed	16oz Cotton Canvas on Aluminium Poles with Anti-roll Barrier	590x1600mm (width, length•)
		Cost see Price List

ADD-ONS

Feature	Details	Cost
Downlighting	Hidden Warm White Downlighters Rebated in the Bunk Supports	see Price List

All prices include VAT.

- Bunks can be made any length up to 1600mm. For bunks over this length please contact us for a quote.

KEY DIMENSIONS

