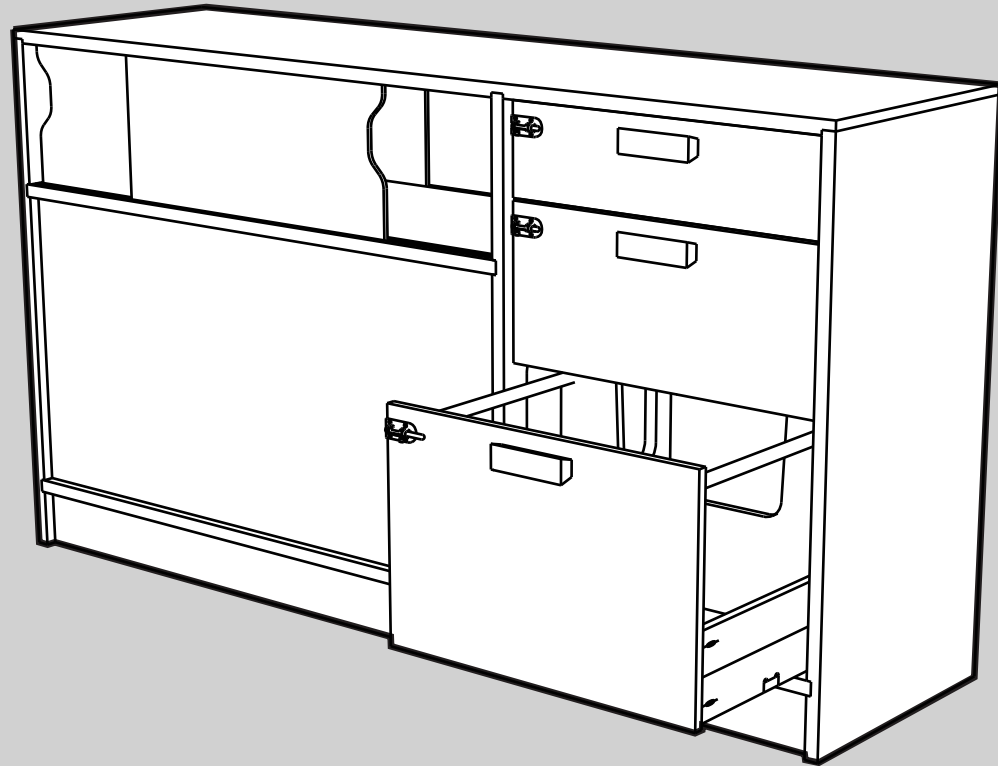


# RANGLER

## ASSEMBLY GUIDE

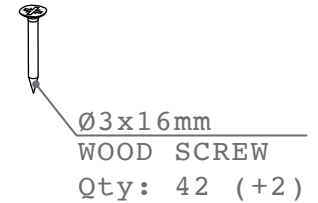
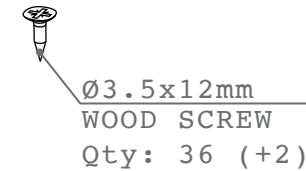
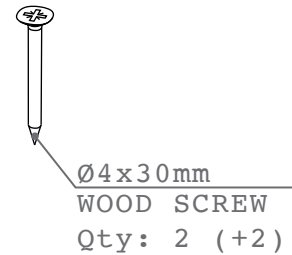
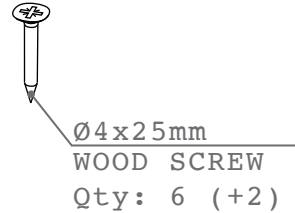
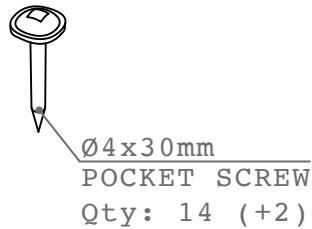
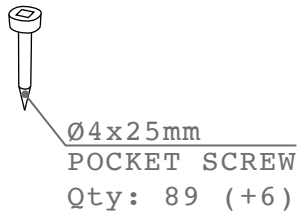


**CONTOUR**  
CAMPERVAN FURNITURE

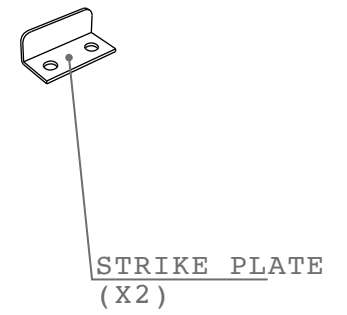
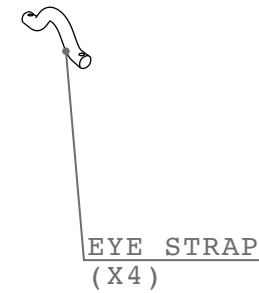
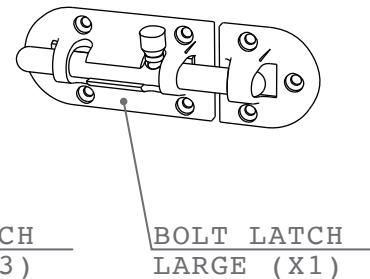
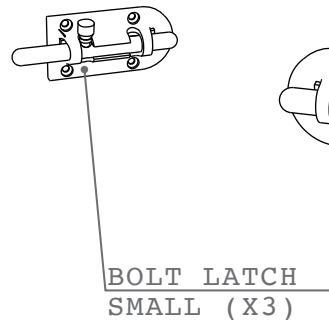
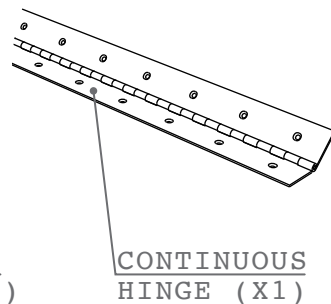
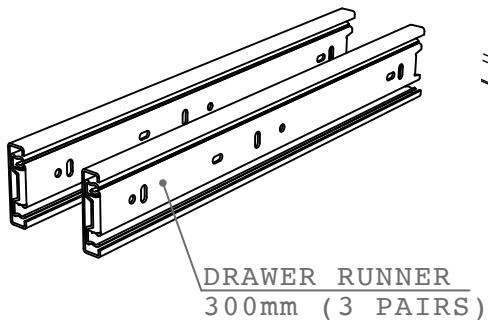
# BEFORE YOU START

- YOU WILL NEED: A DRILL/DRIVER, PZ2 & PZ1 DRIVER BITS, A JIGSAW IF SCRIBING AROUND A WHEEL ARCH, WOOD GLUE. A RULER AND SET SQUARE ARE USEFUL TOO.
- FIND A CLEAN LEVEL SURFACE TO ASSEMBLE THE KITCHEN ON.
- CHECK THE SETTINGS ON YOUR DRILL, TOO MUCH TORQUE WILL DRIVE SCREWS ALL THE WAY THROUGH THE PLYWOOD!
- ASK A FRIEND TO HELP HOLD PARTS WHILST YOU SCREW THEM TOGETHER.
- SAND, PAINT AND OIL THE PARTS BEFORE ASSEMBLY FOR BEST RESULTS.
- POCKET SCREWS USE THE LONG NO.2 SQUARE BIT PROVIDED.
- MAKE SURE ALL PARTS ARE SLOTTED TOGETHER TIGHTLY BEFORE SCREWING, NO GAPS!

## FIXINGS



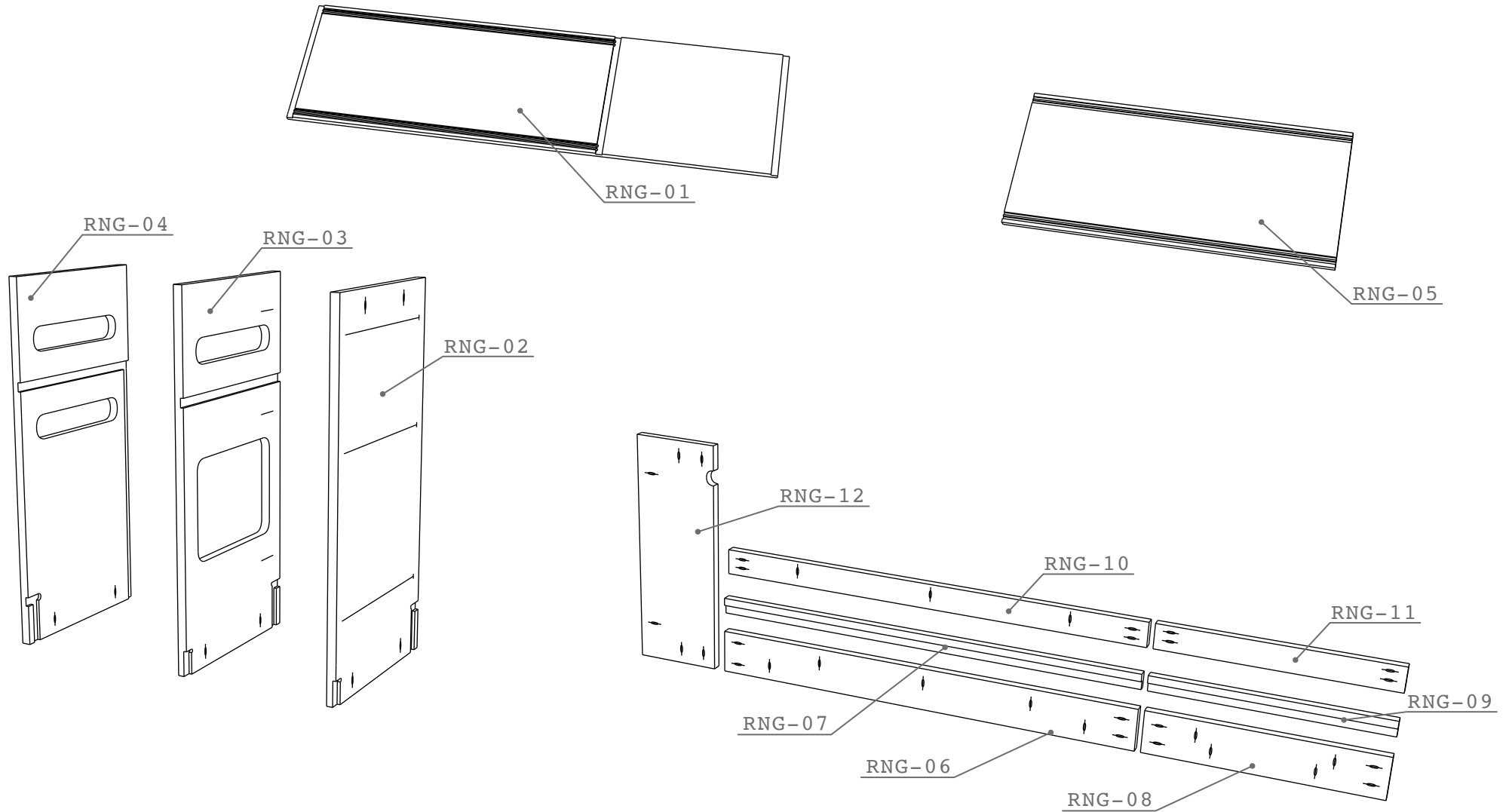
## HARDWARE



# RANGER

## PARTS LIST

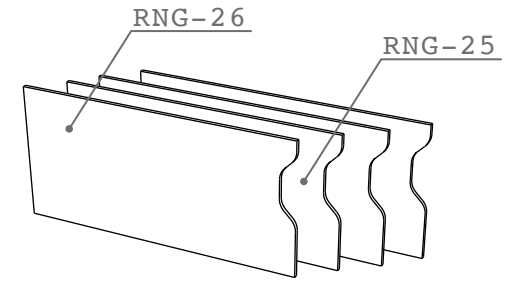
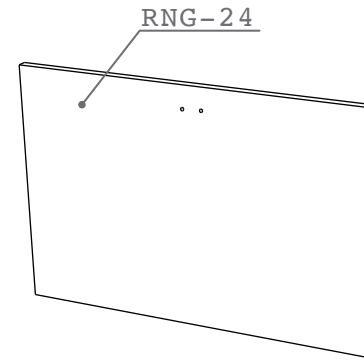
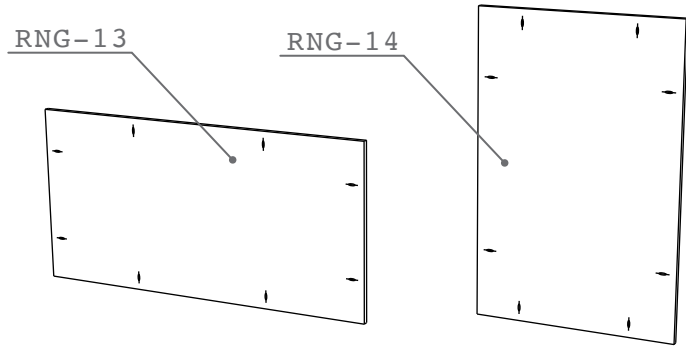
# FRAME



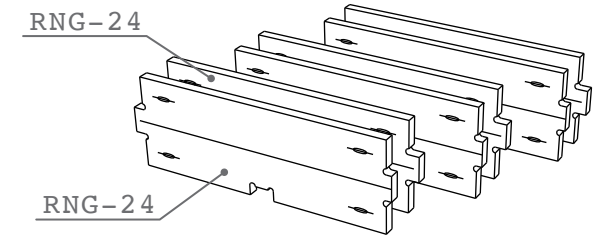
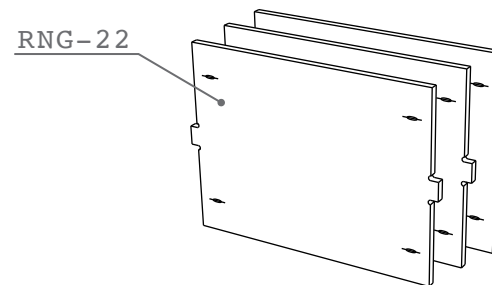
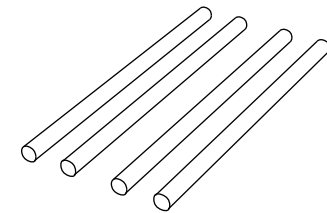
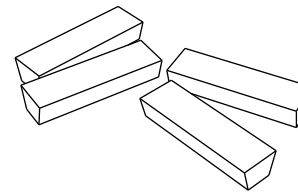
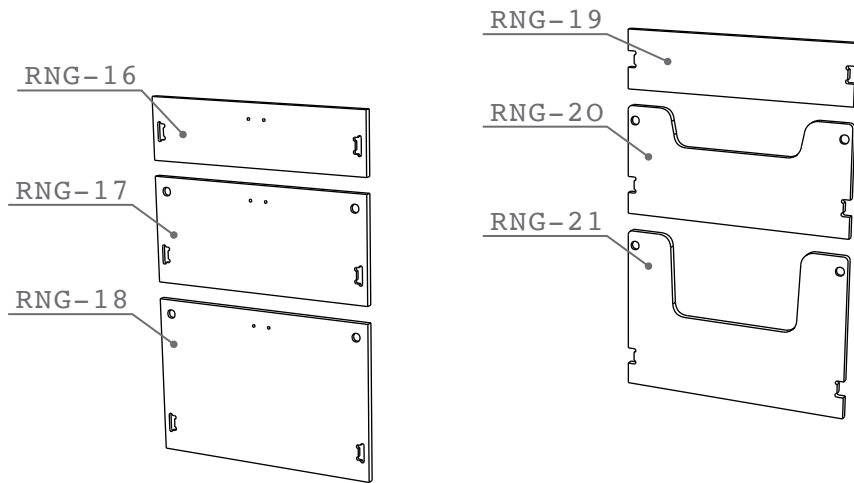
# RANGER

## PARTS LIST

# DOORS & INFILLS



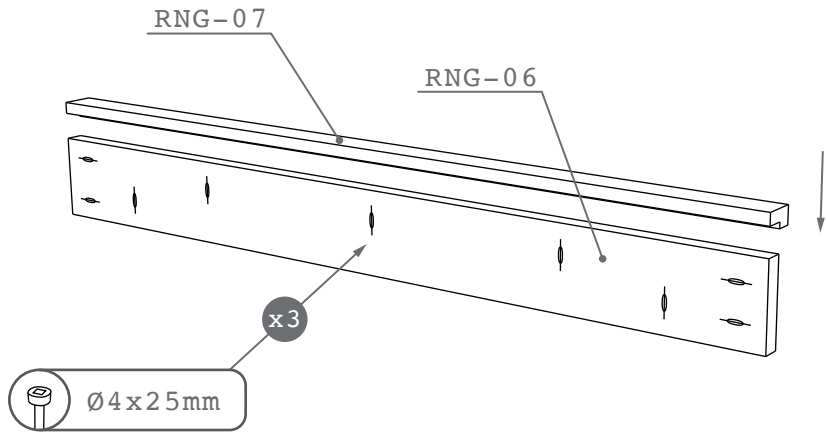
# DRAWERS



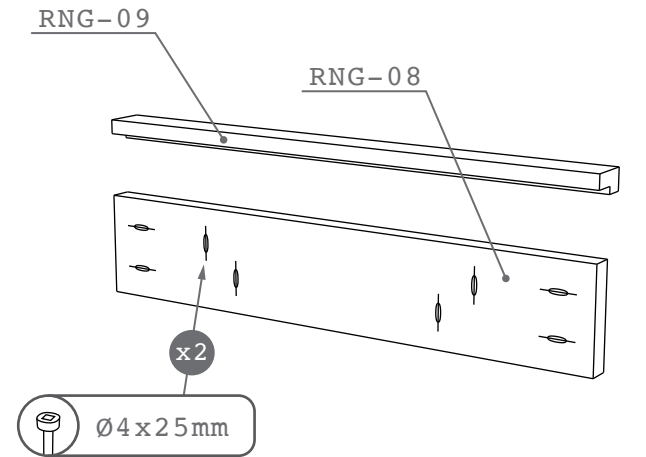
# RANGER

## PARTS LIST

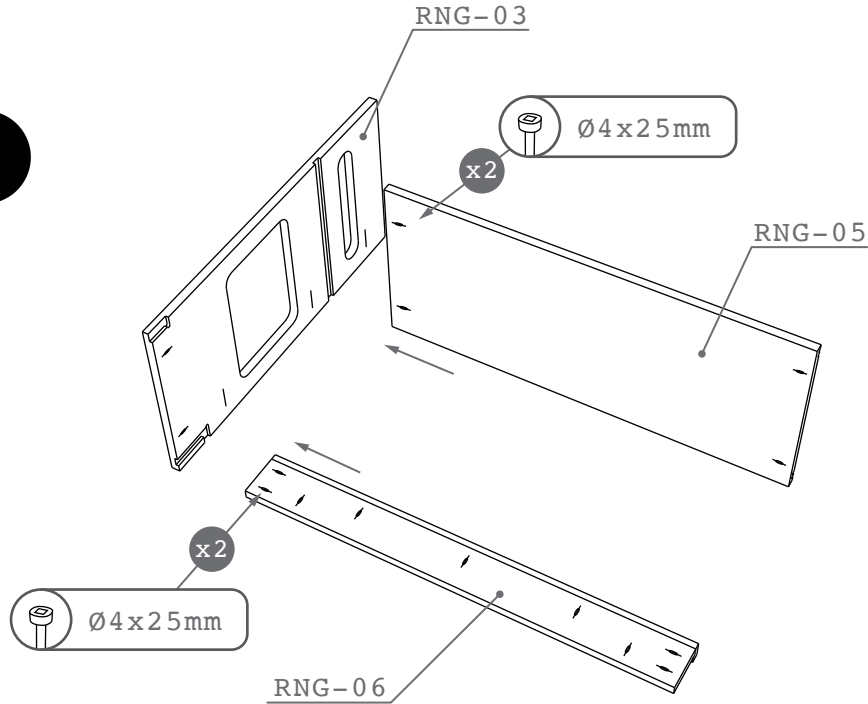
1



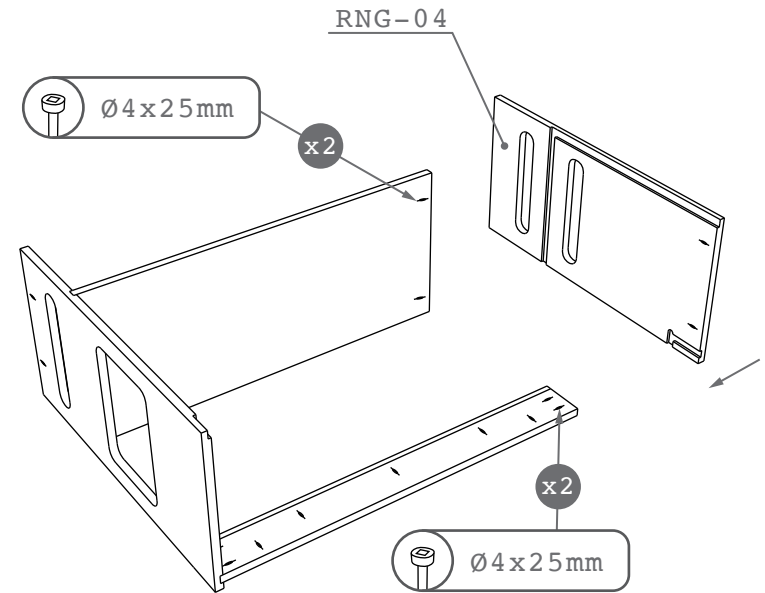
2



3



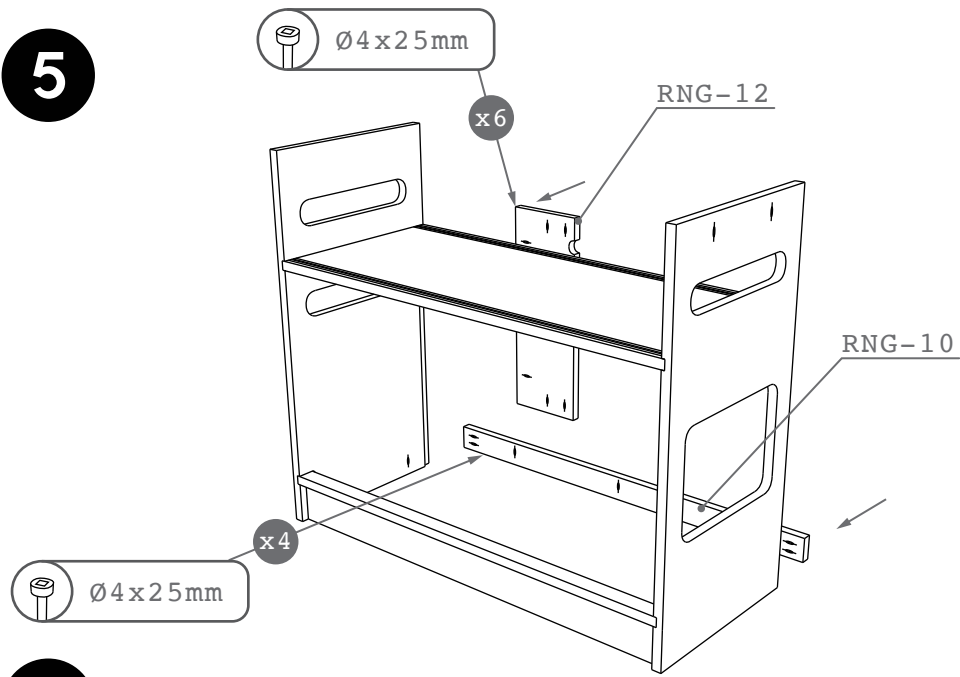
4



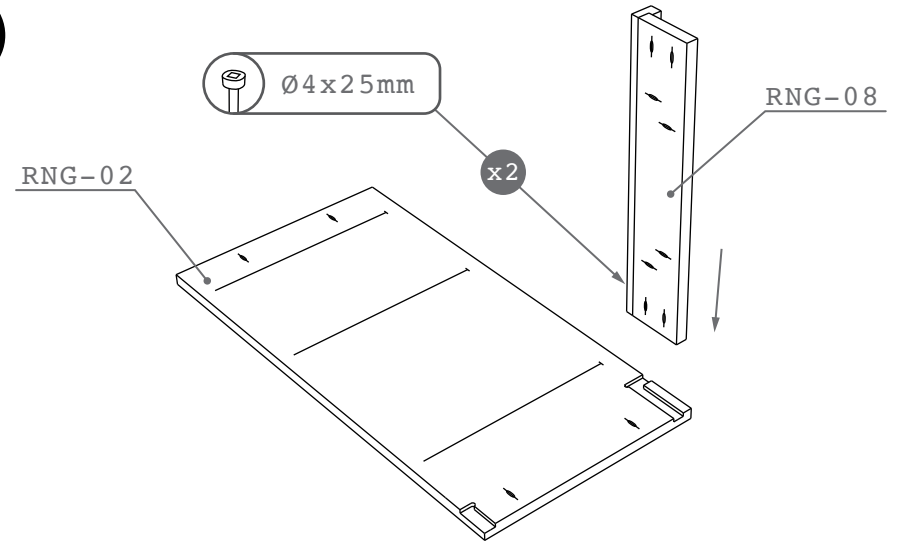
# RANGER

# FRAME

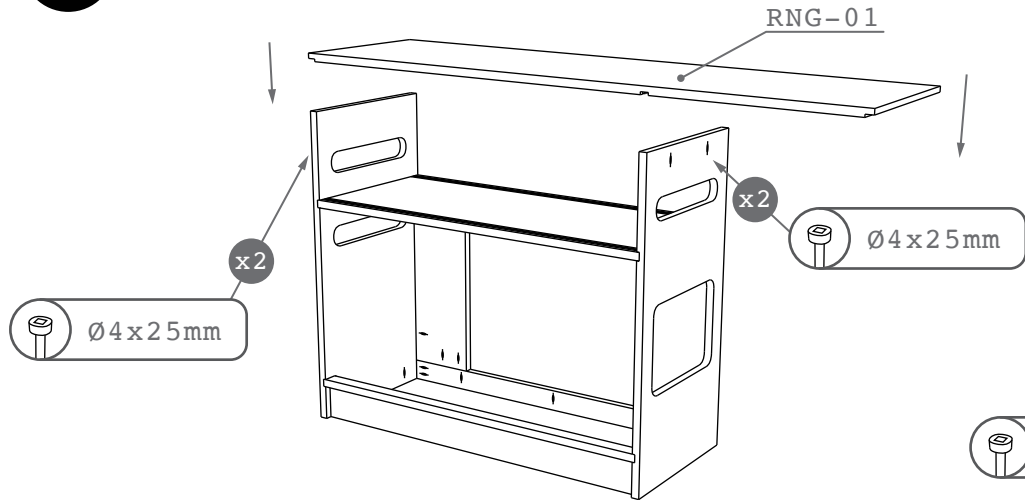
5



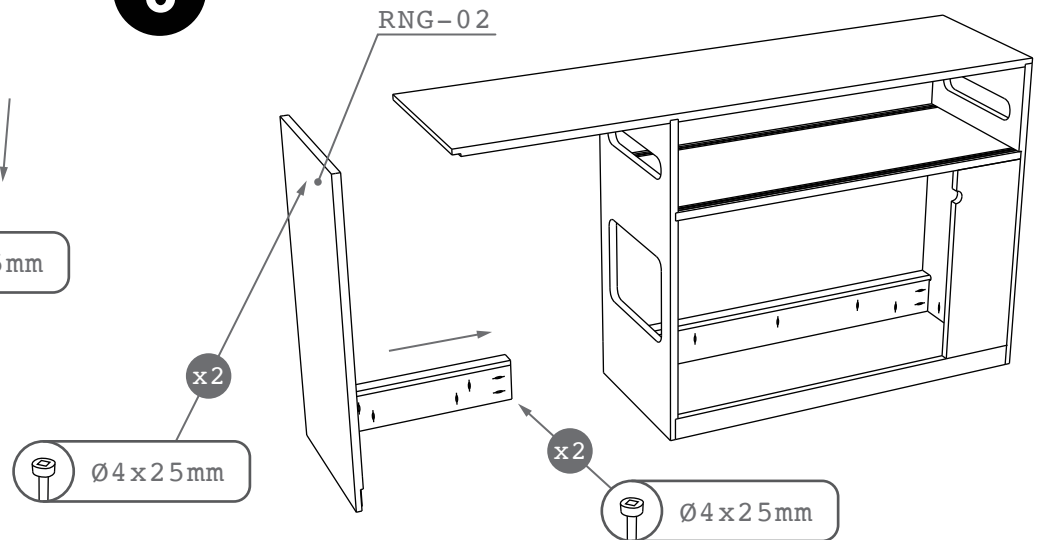
6



7



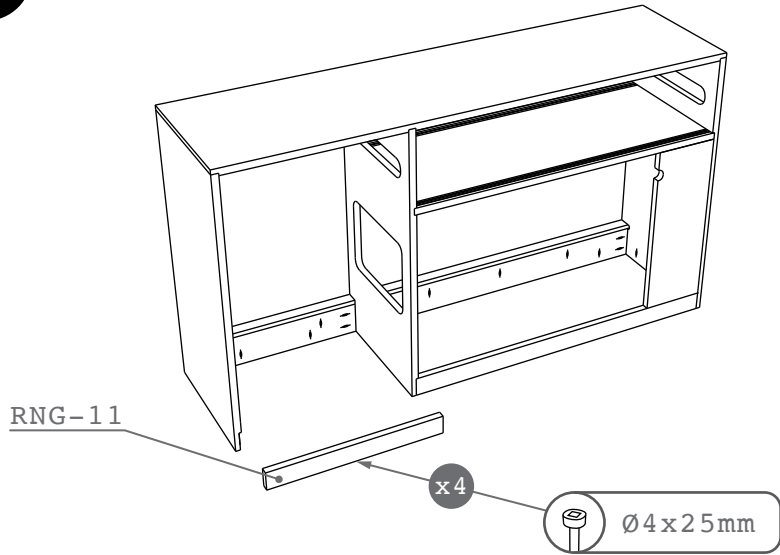
8



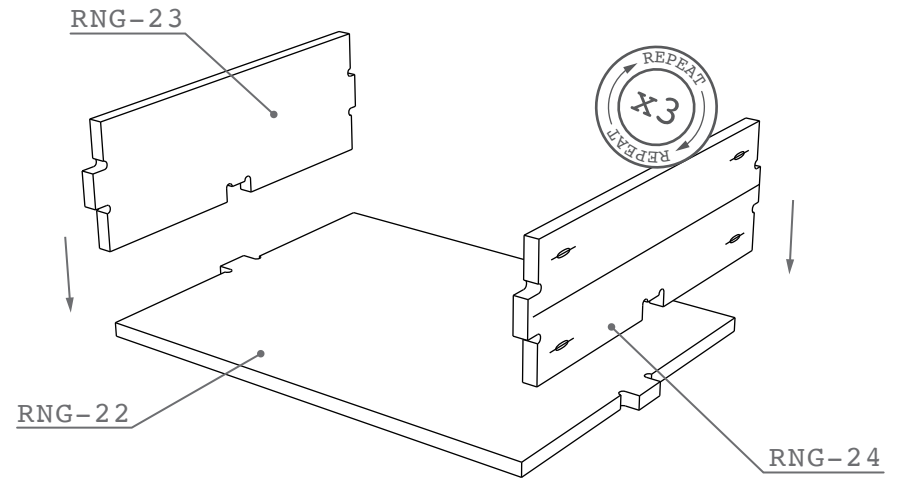
# RANGER

# FRAME

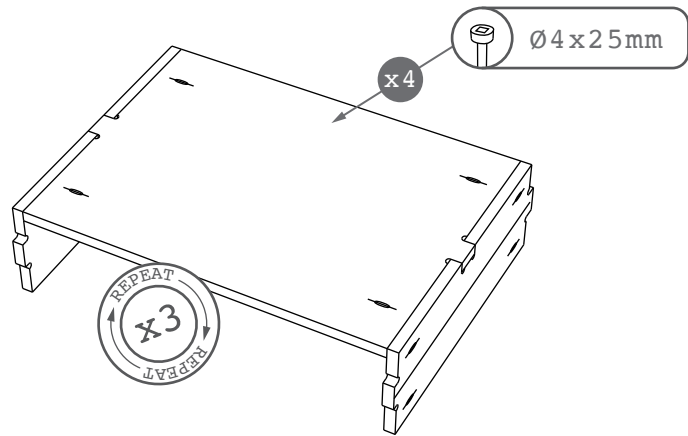
9



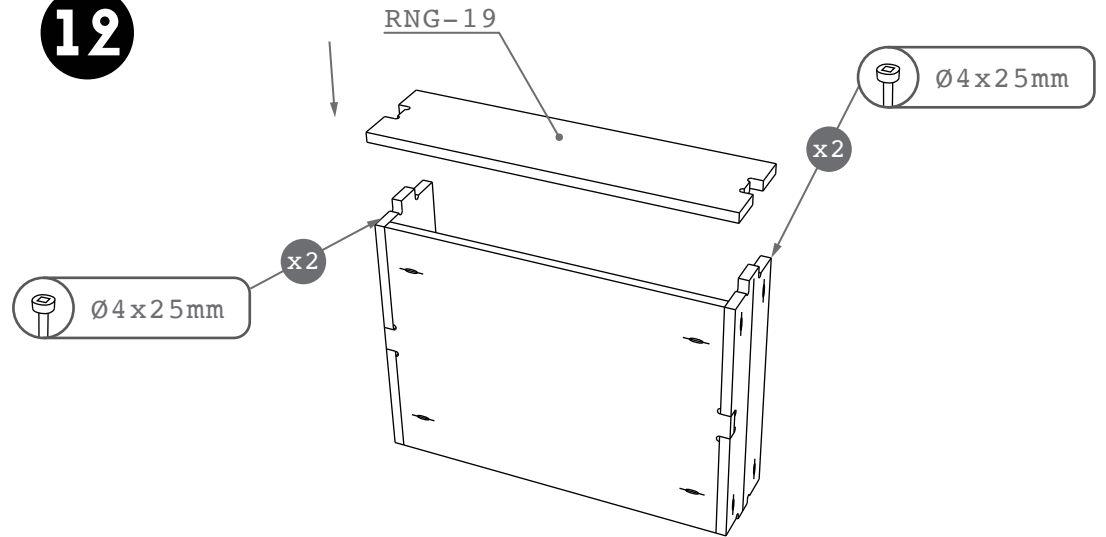
10



11

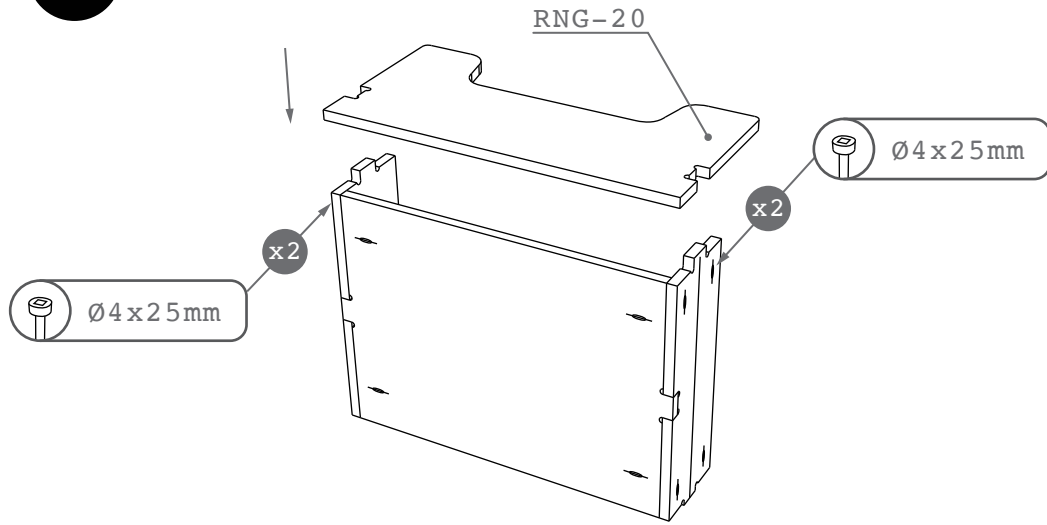


12

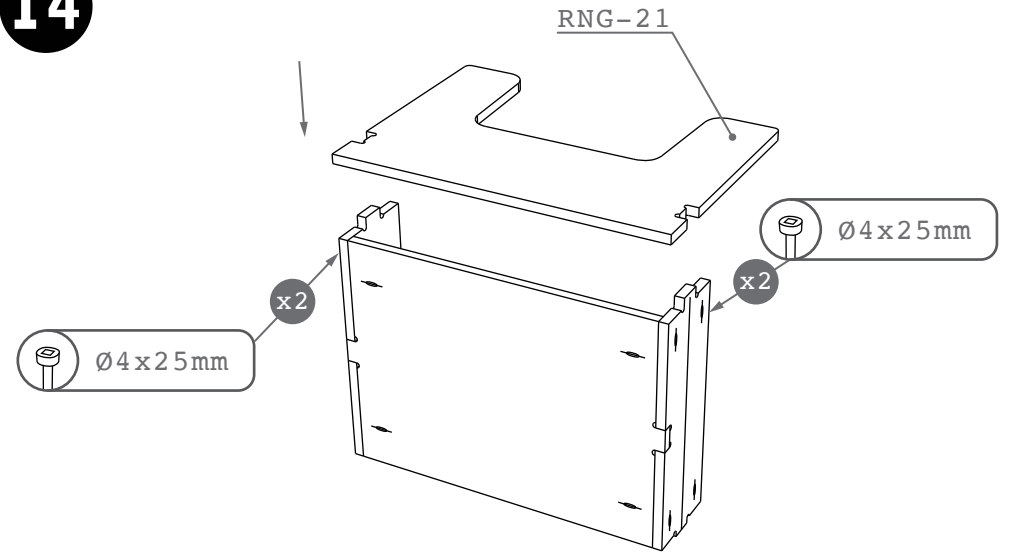


# RANGER DRAWERS

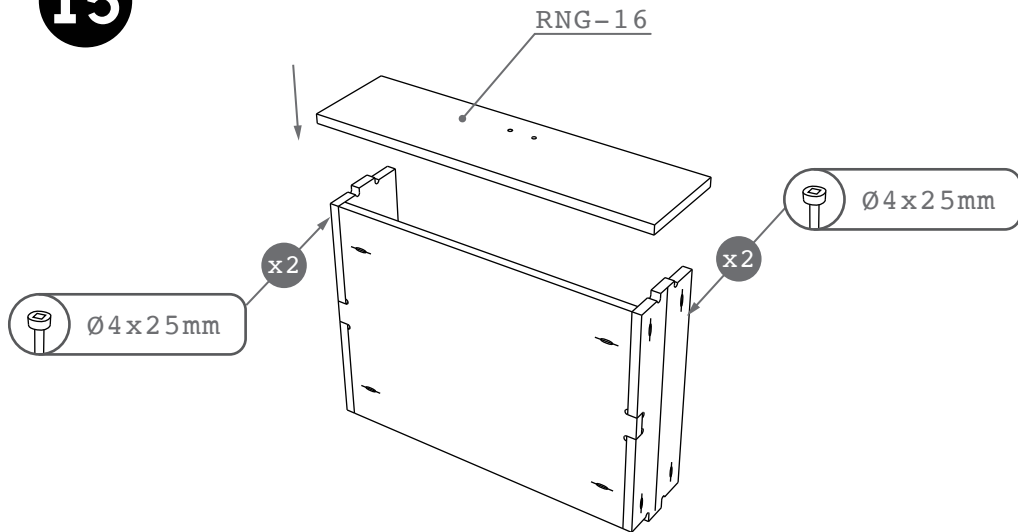
13



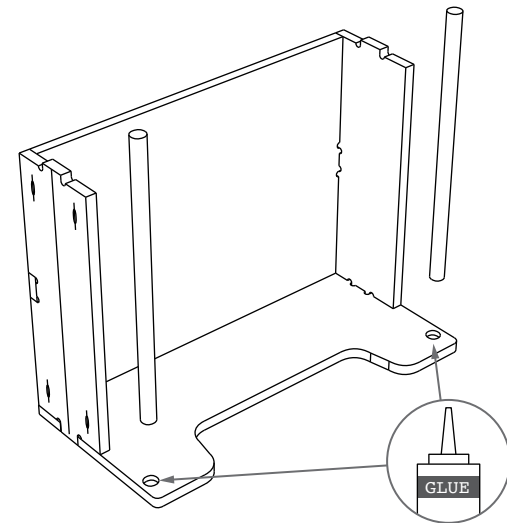
14



15



16

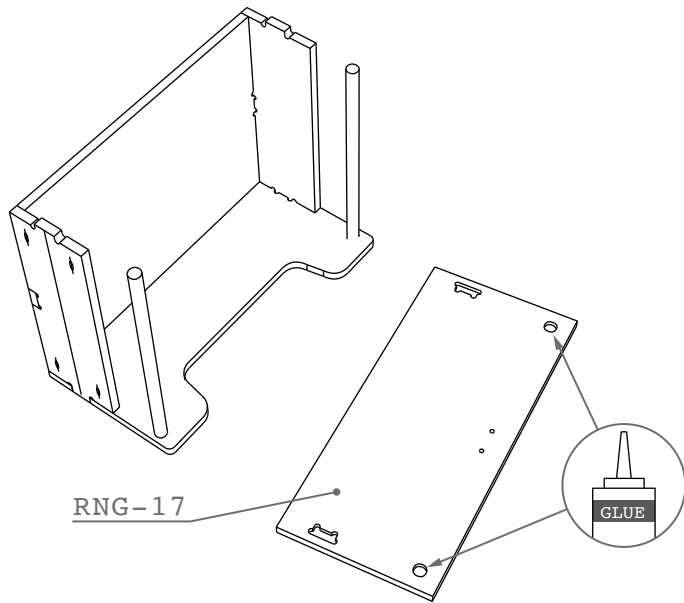


# RANGER

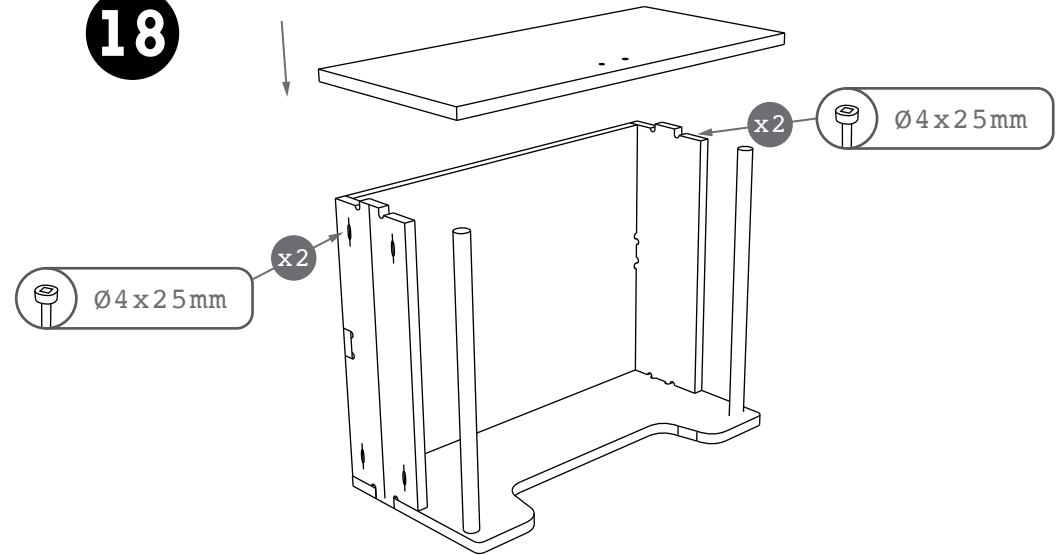
# DRAWERS



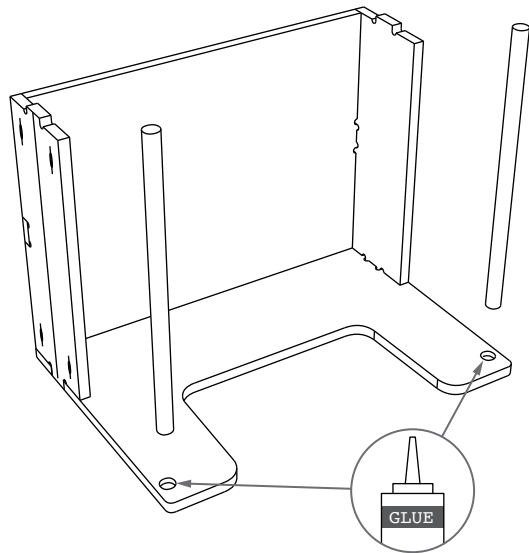
17



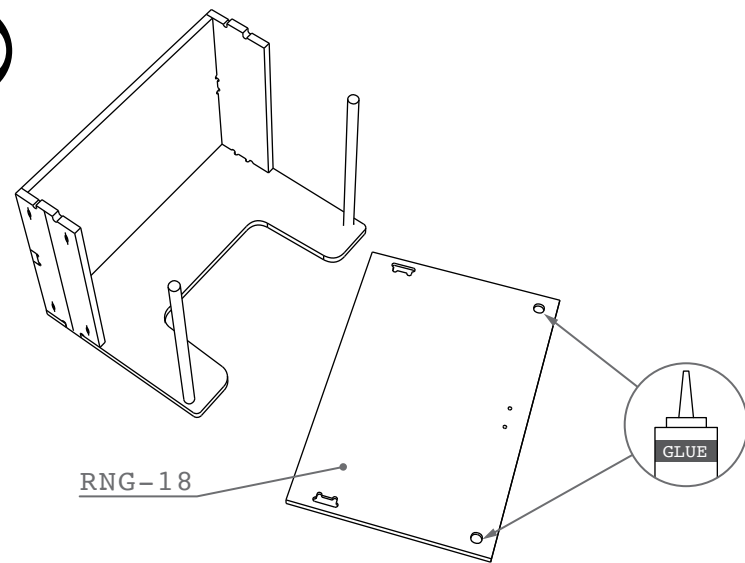
18



19



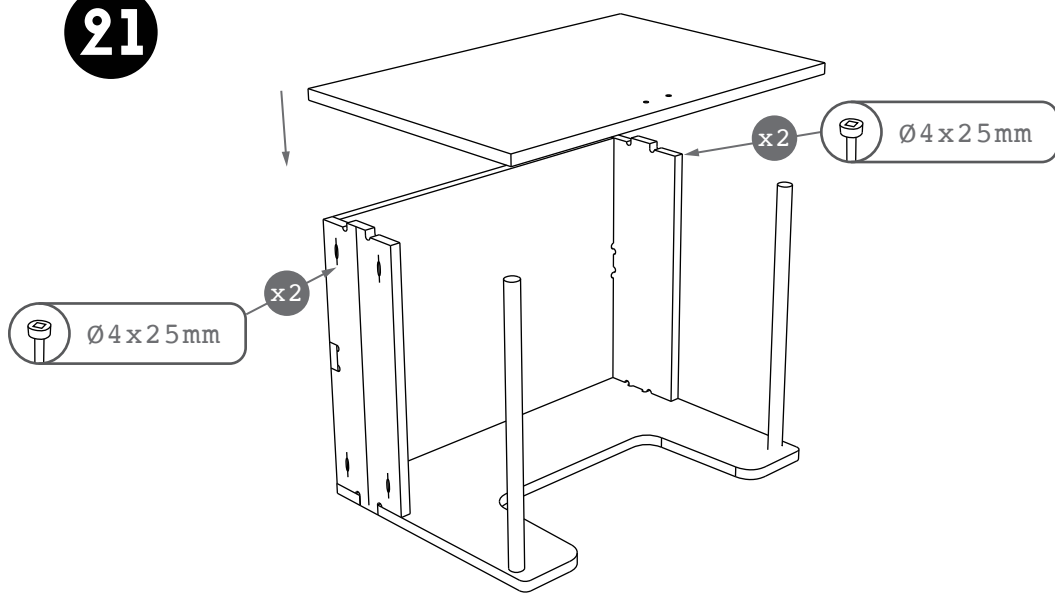
20



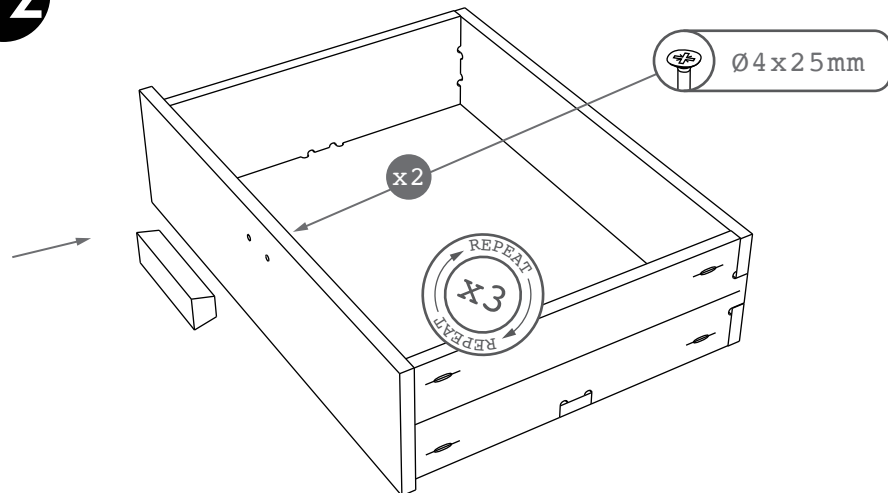
# RANGER

# DRAWERS

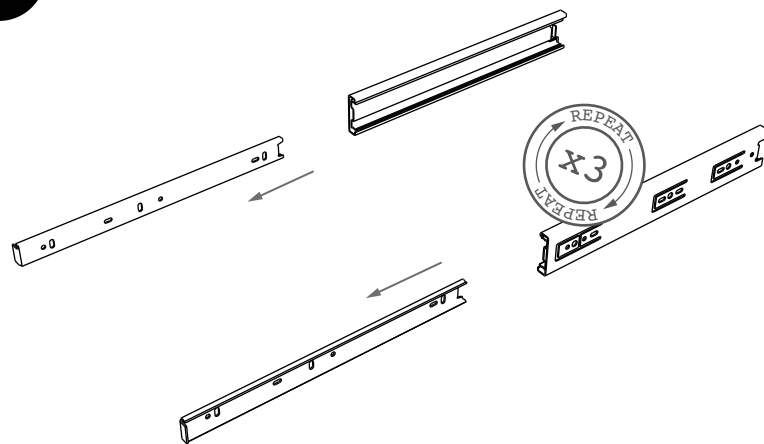
21



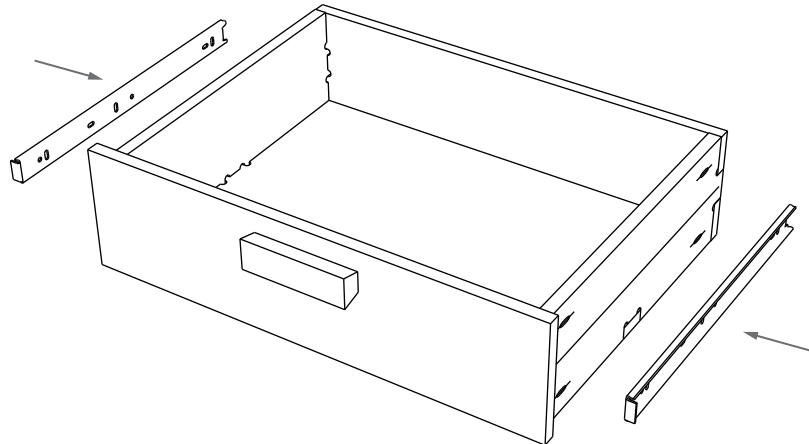
22



23



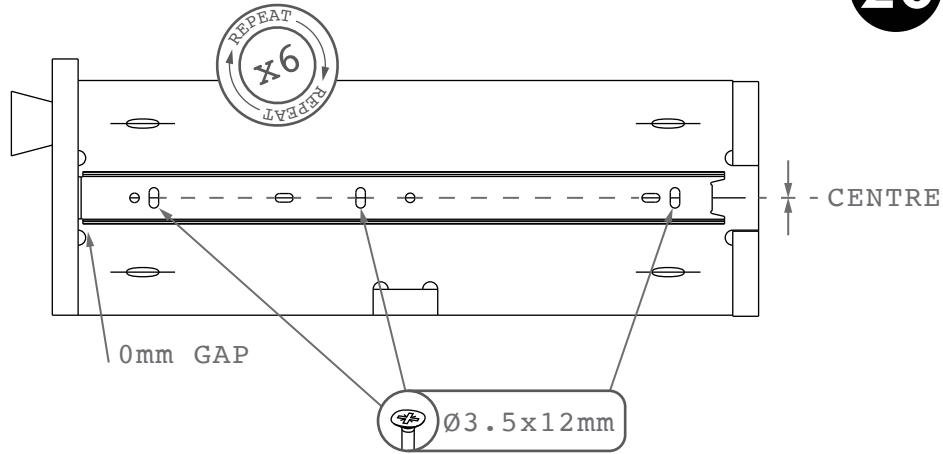
24



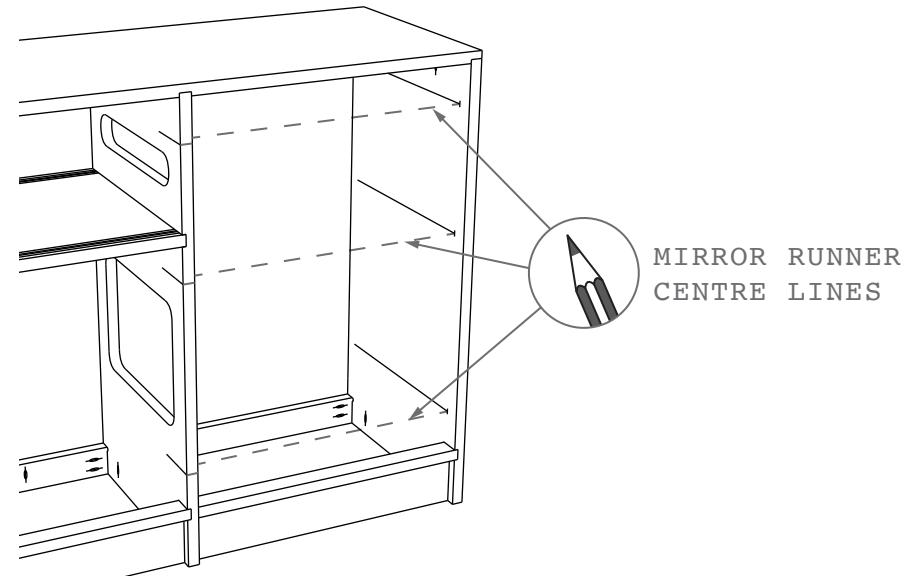
# RANGER

# DRAWERS

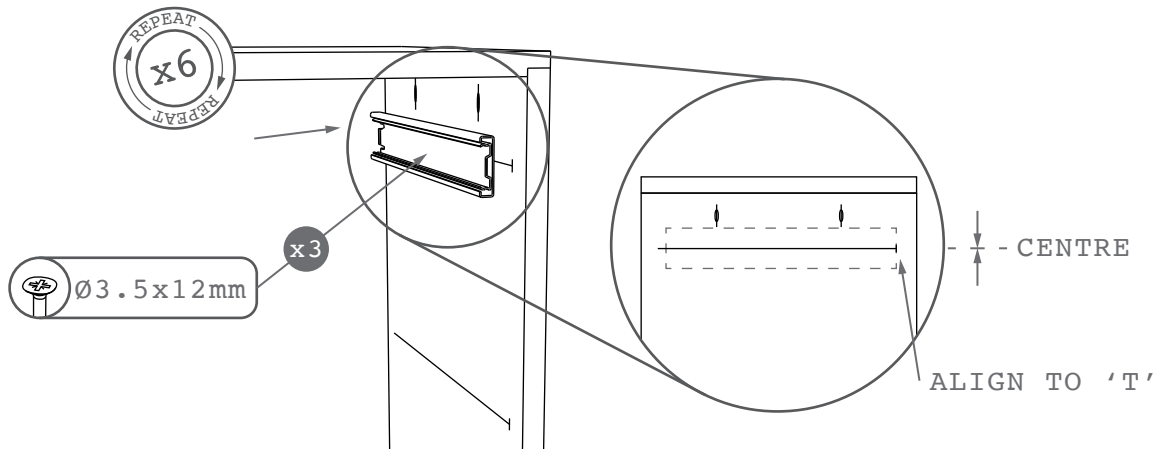
25



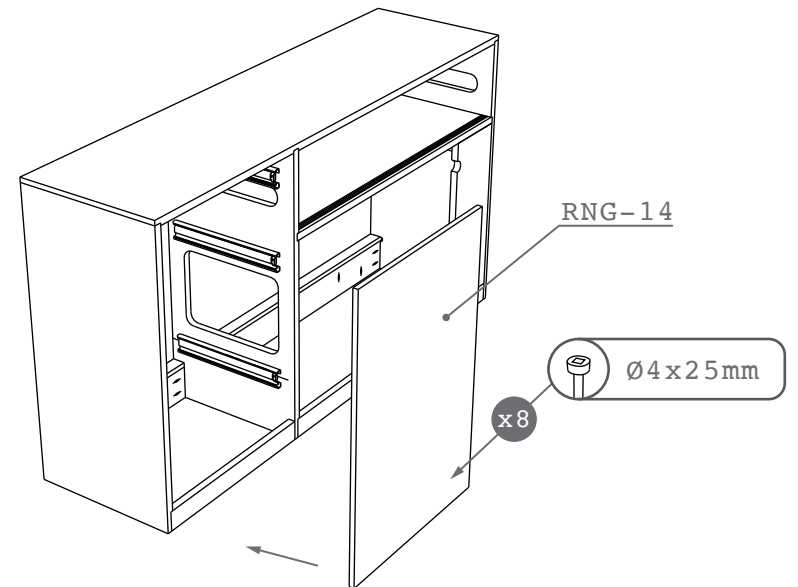
26



27



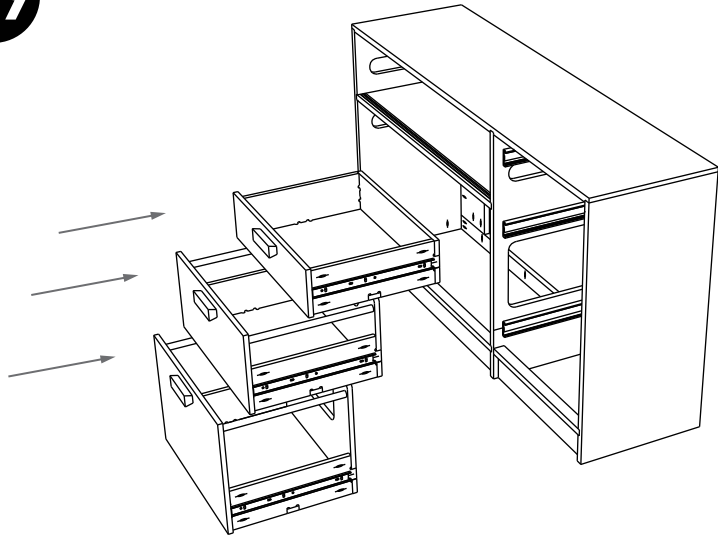
28



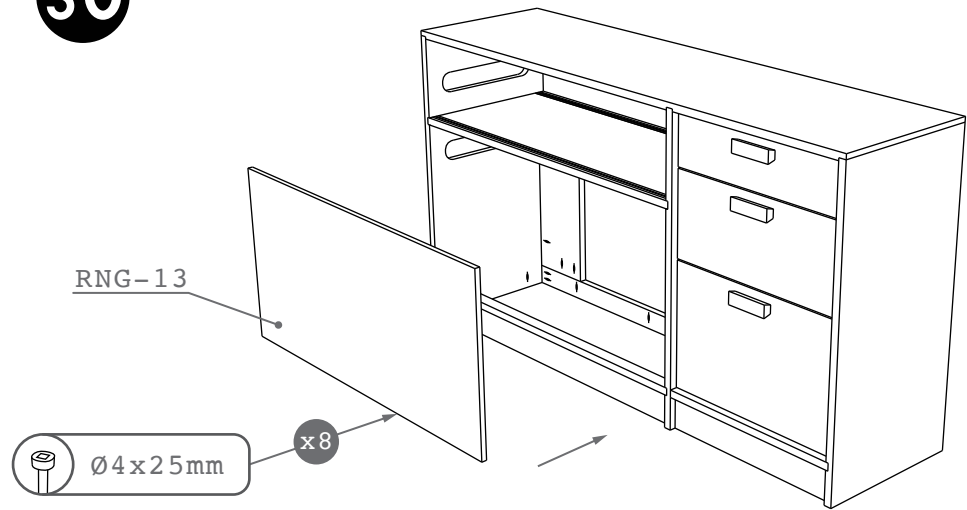
# RANGER

# DRAWERS

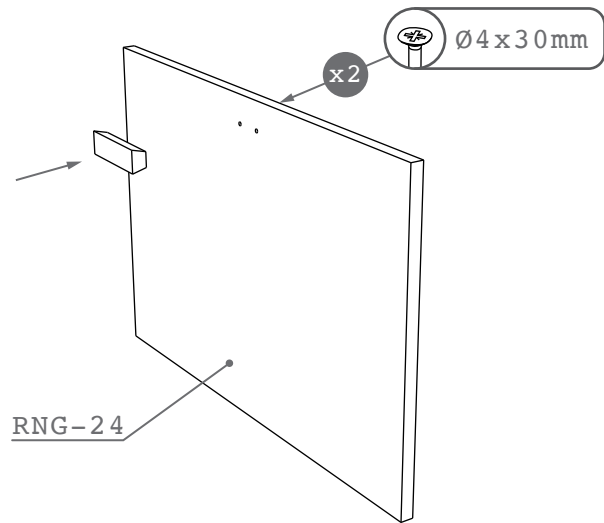
29



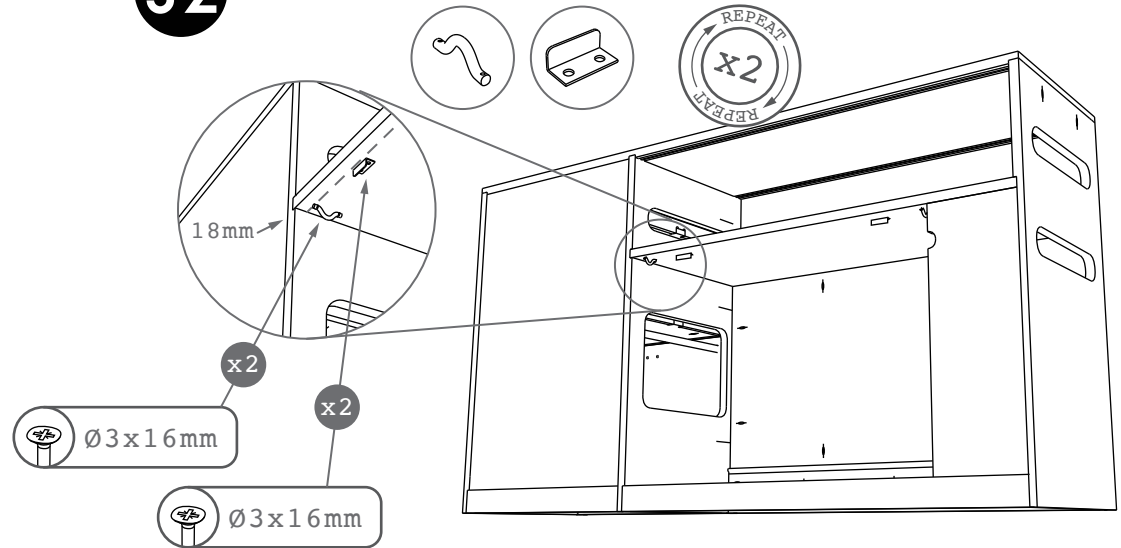
30



31



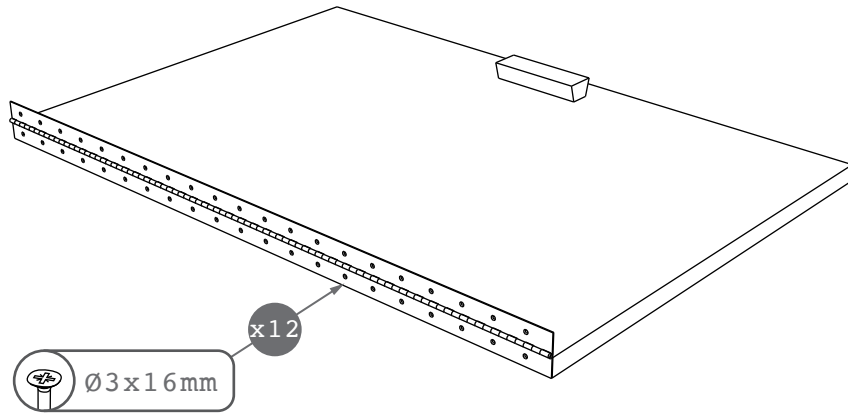
32



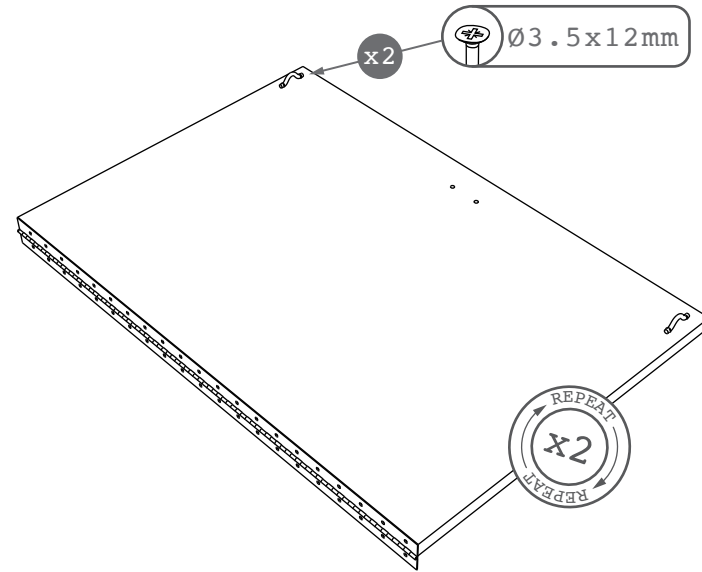
# RANGER

## INFILLS & DOORS

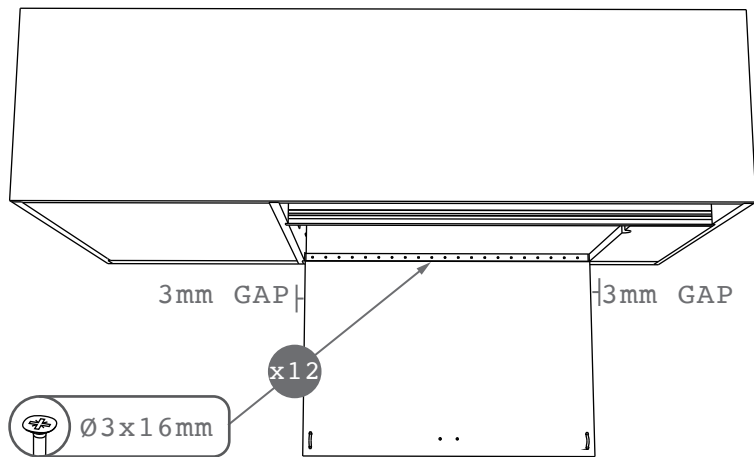
33



34



35



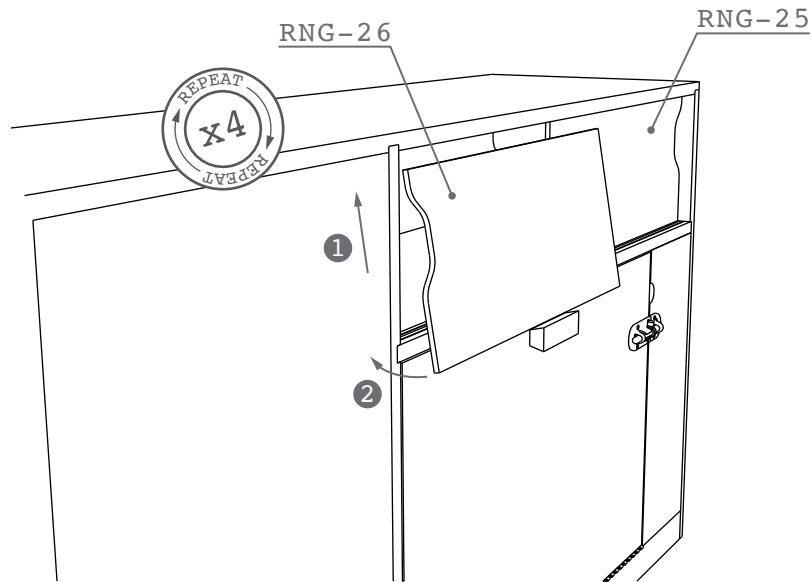
36



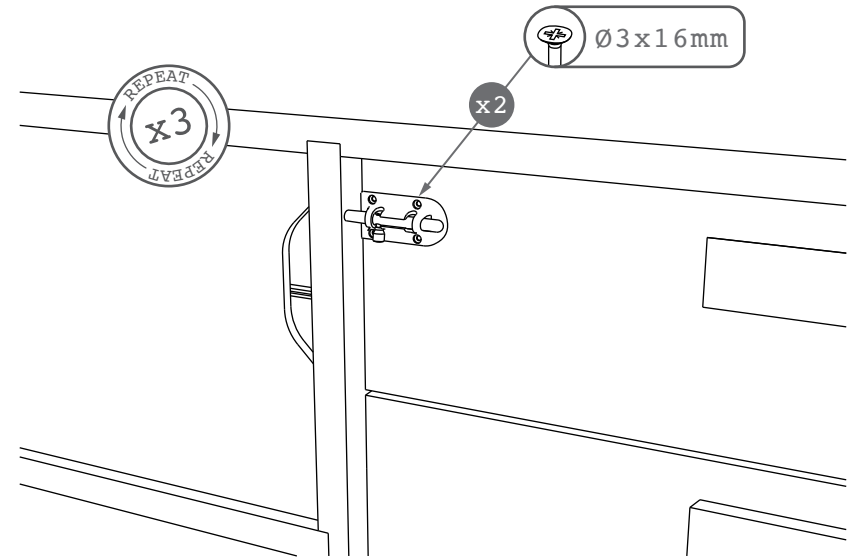
# RANGER

## REAR DOOR

37



38



## ADJUSTMENTS

THE DRAWERS SHOULD HAVE A 3mm GAP AROUND EACH FRONT. USE THE SLOTTED HOLES ON THE RUNNERS TO MAKE ANY NECESSARY ADJUSTMENTS.

TIE THE SUPPLIED CORD BETWEEN THE EYE STRAPS TO SUPPORT THE BUMPER BAR, OR USE YOUR OWN TO MATCH YOUR CHOSEN COLOUR SCHEME!

## SUPPORT

IF YOU NEED HELP WITH ASSEMBLY, PLEASE CALL OR EMAIL TOM USING THE CONTACT DETAILS AT THE BOTTOM OF THE PAGE.

# RANGER

## DOORS & LATCHES