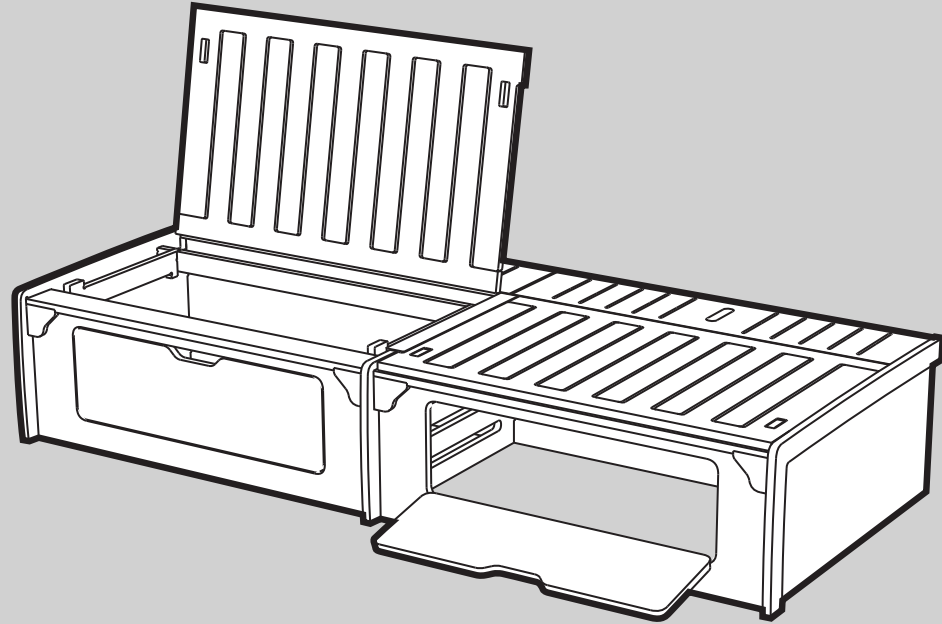


# TOP ASSEMBLY GUIDE

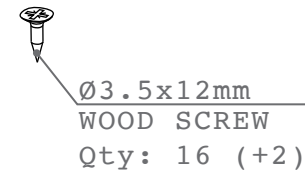
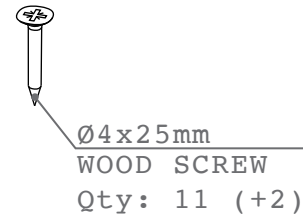
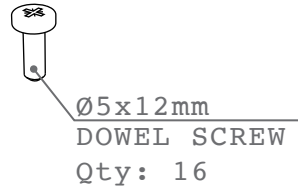
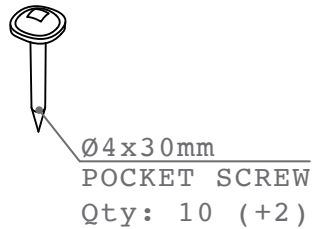
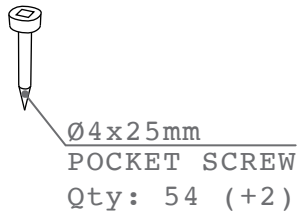


**CONTOUR**  
CAMPERVAN FURNITURE

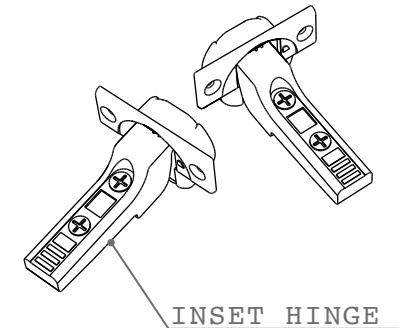
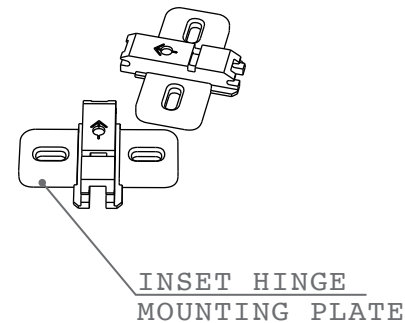
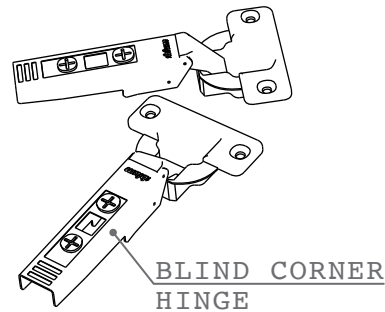
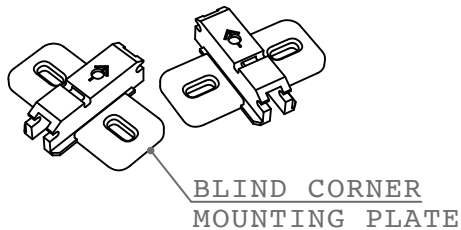
# BEFORE YOU START

- FIND A CLEAN LEVEL SURFACE TO ASSEMBLE THE SOFA-BED ON
- CHECK THE SETTINGS ON YOUR DRILL, TOO MUCH TORQUE WILL DRIVE SCREWS ALL THE WAY THROUGH THE PLYWOOD!
- ASK A FRIEND TO HELP HOLD PARTS WHILST YOU SCREW THEM TOGETHER
- SAND AND OIL THE PARTS BEFORE ASSEMBLY FOR BEST RESULTS
- POCKET SCREWS USE THE LONG NO. 2 SQUARE BIT PROVIDED, ALL OTHERS ARE PZ2
- MAKE SURE ALL PARTS ARE SLOTTED TOGETHER TIGHTLY BEFORE SCREWING, NO GAPS!

## FIXINGS

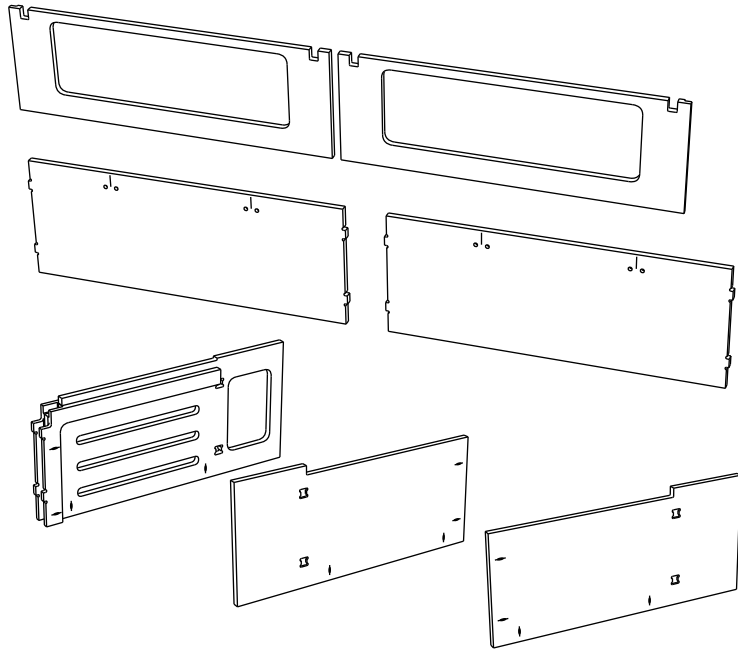


## HINGES

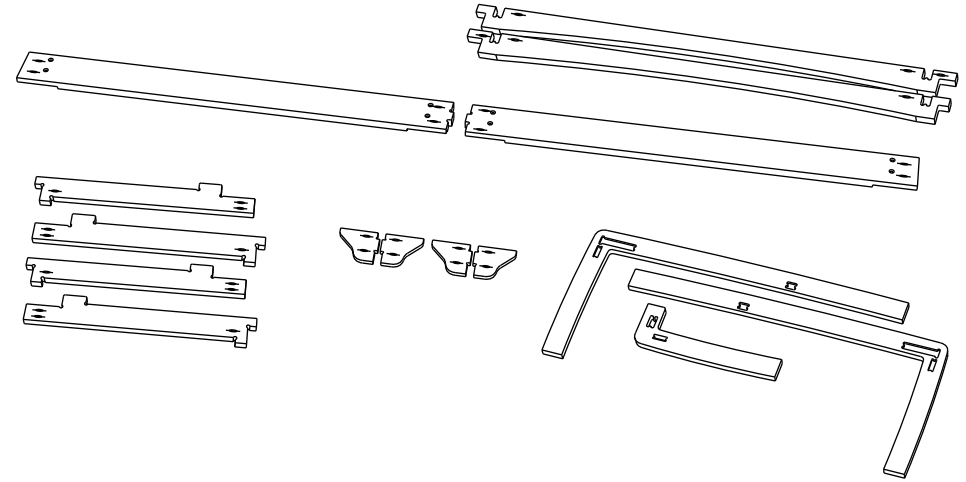


## PARTS LIST

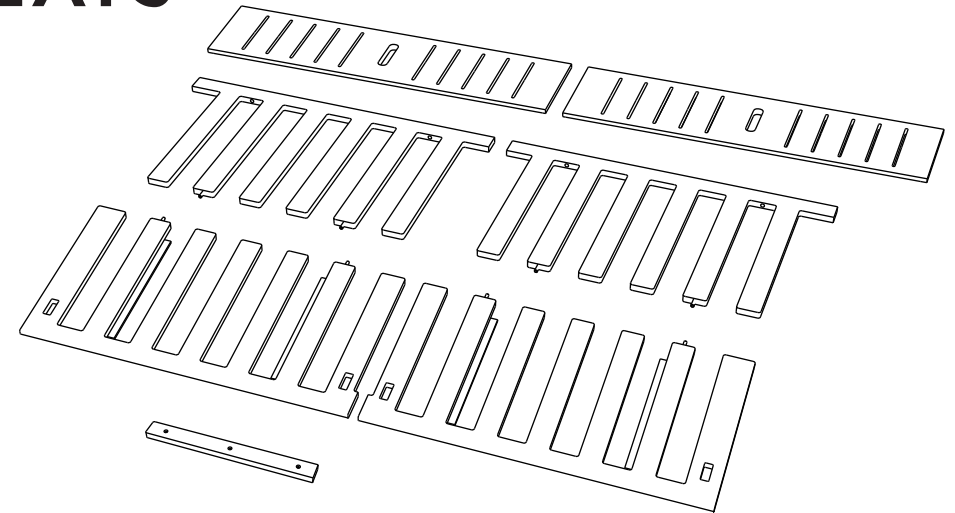
# FRAME



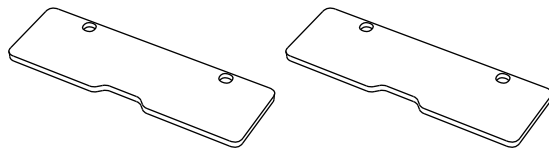
# CARRIAGE



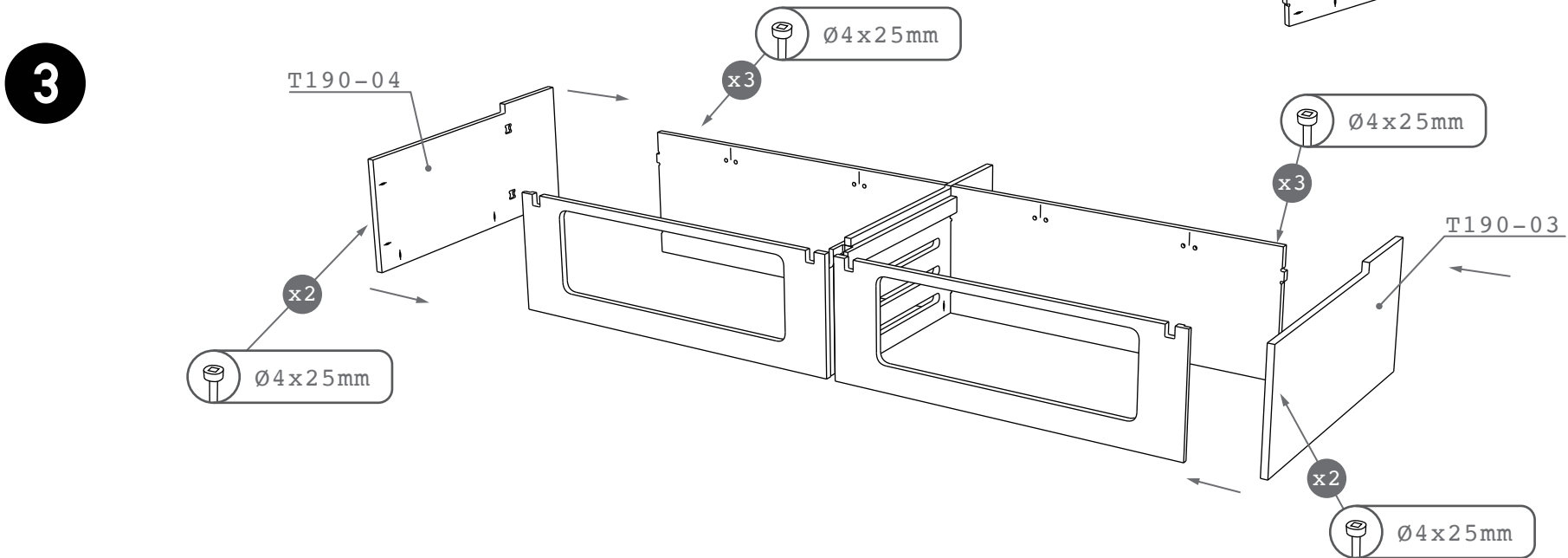
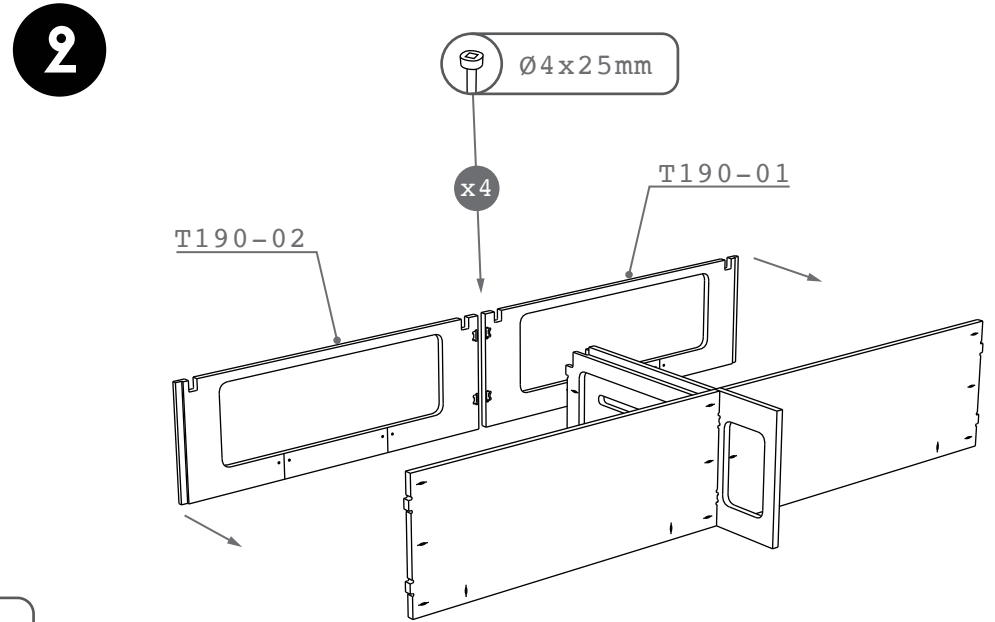
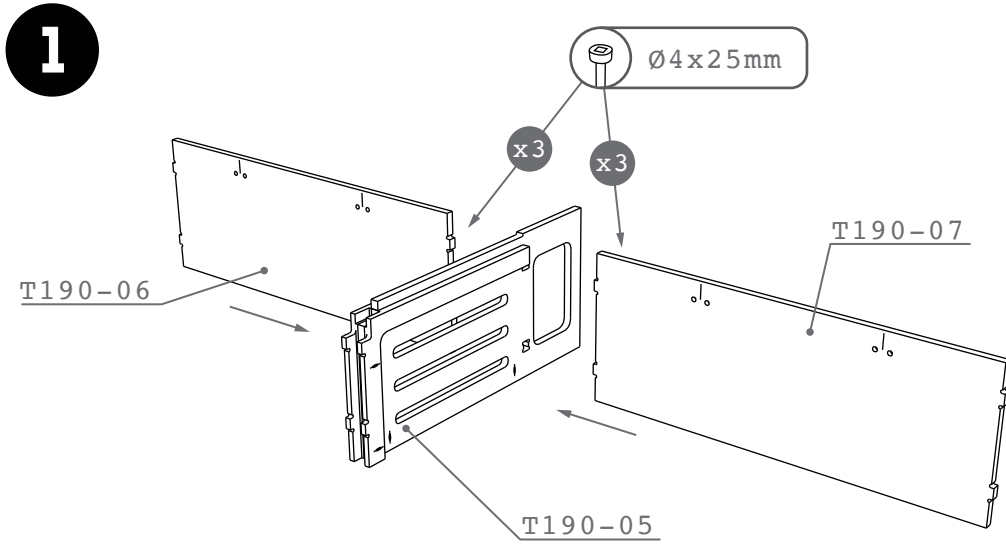
# SLATS



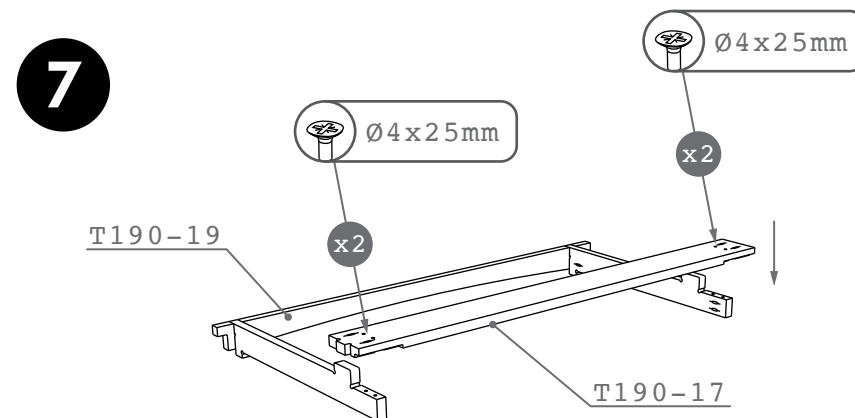
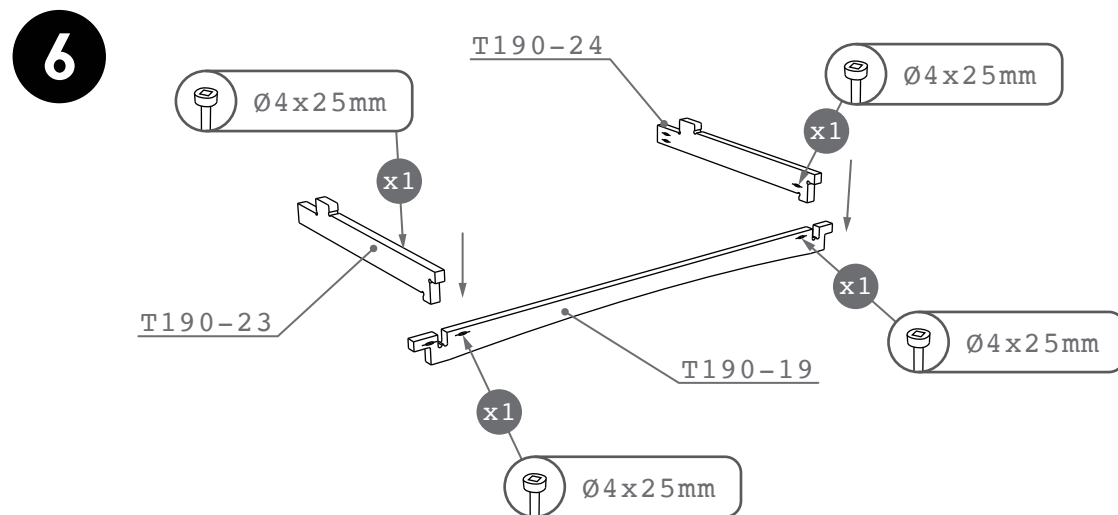
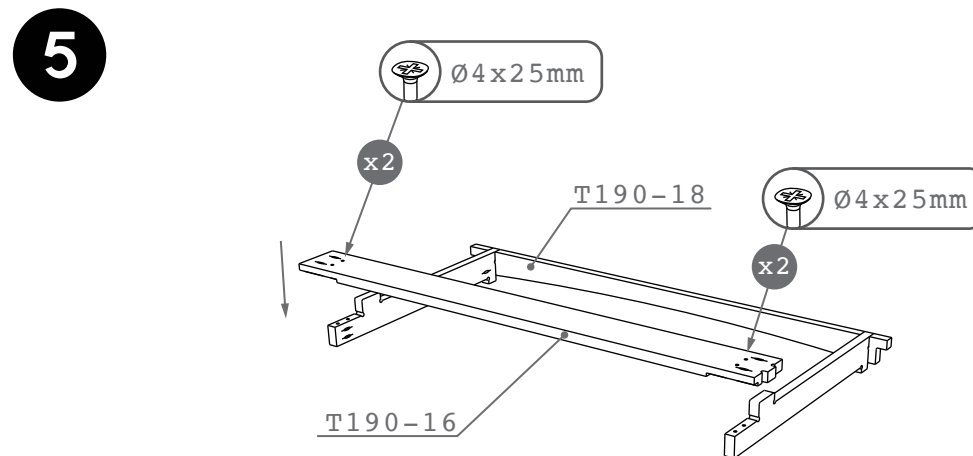
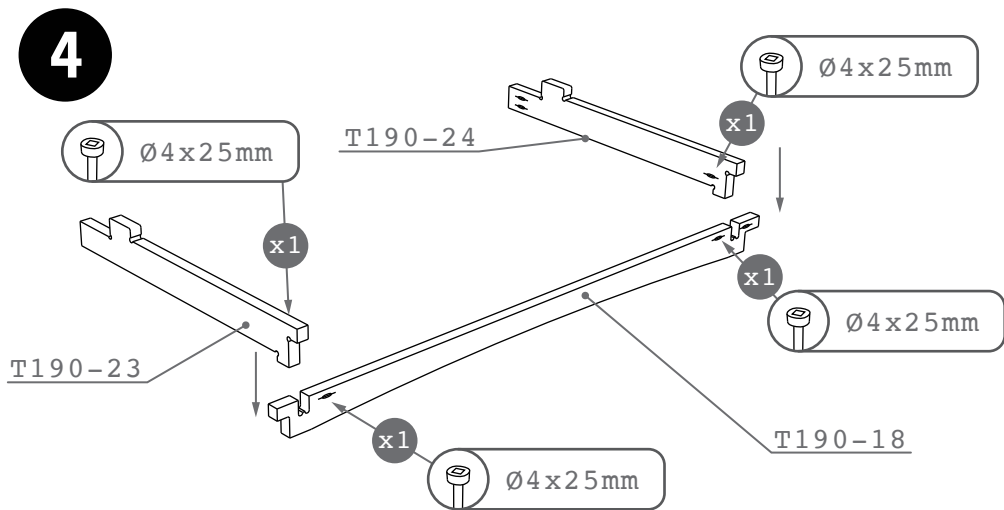
# DOORS



# PARTS LIST

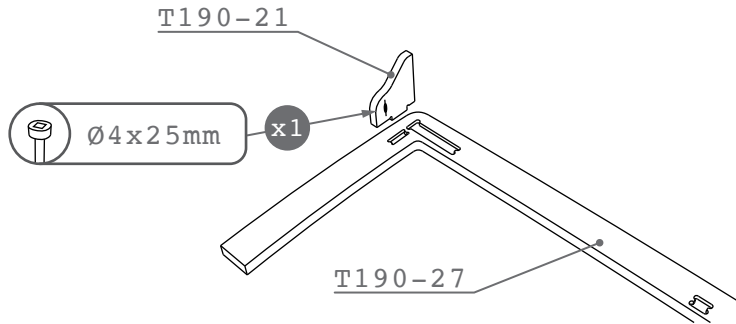


# FRAME ASSEMBLY

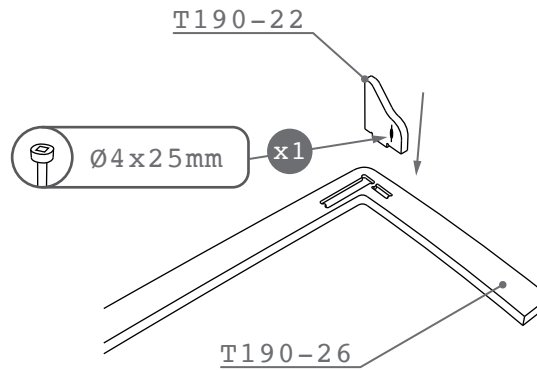


# CARRIAGE ASSEMBLY

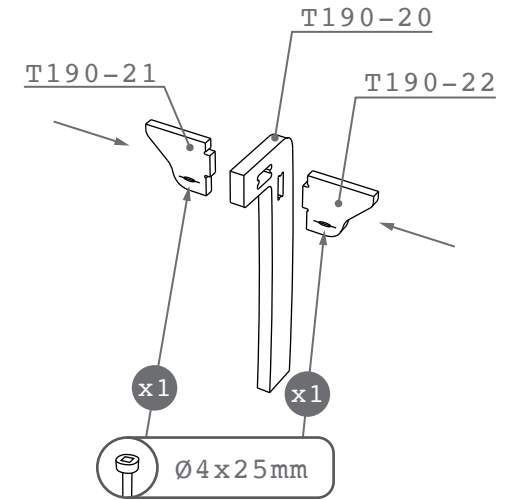
8



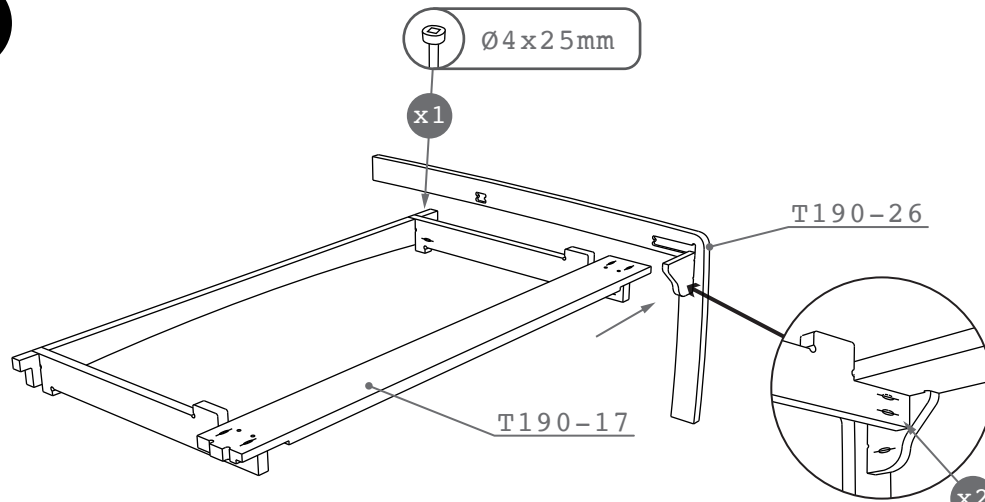
9



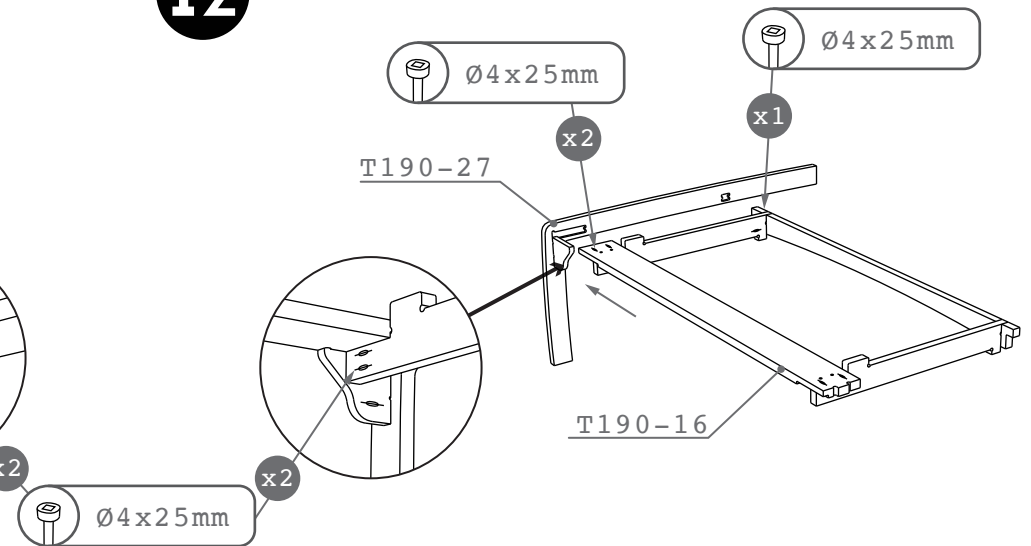
10



11

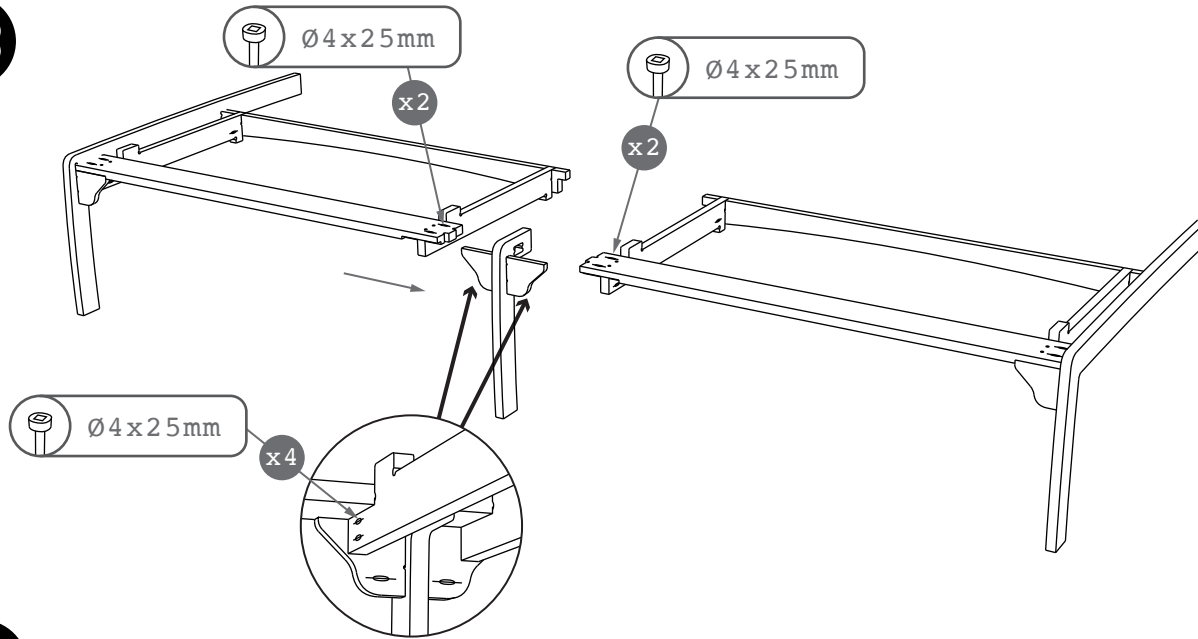


12

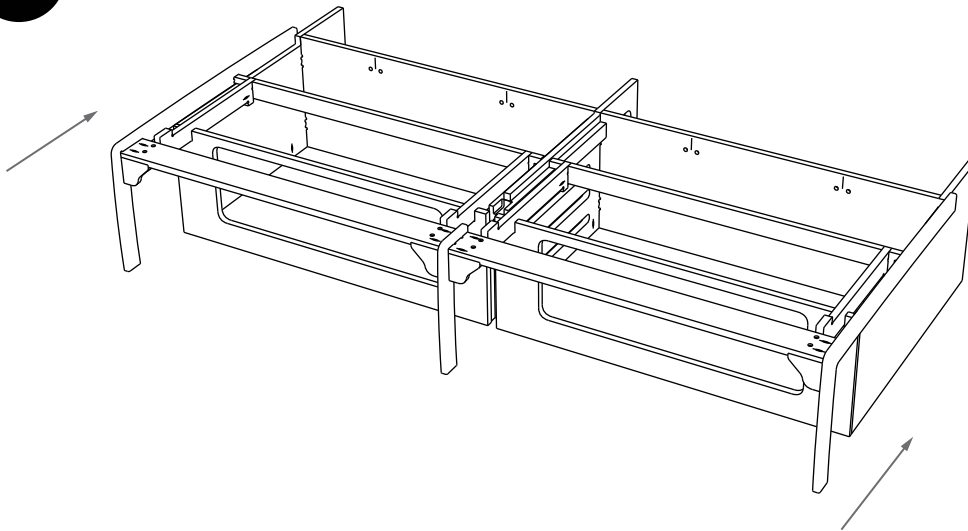


# CARRIAGE ASSEMBLY

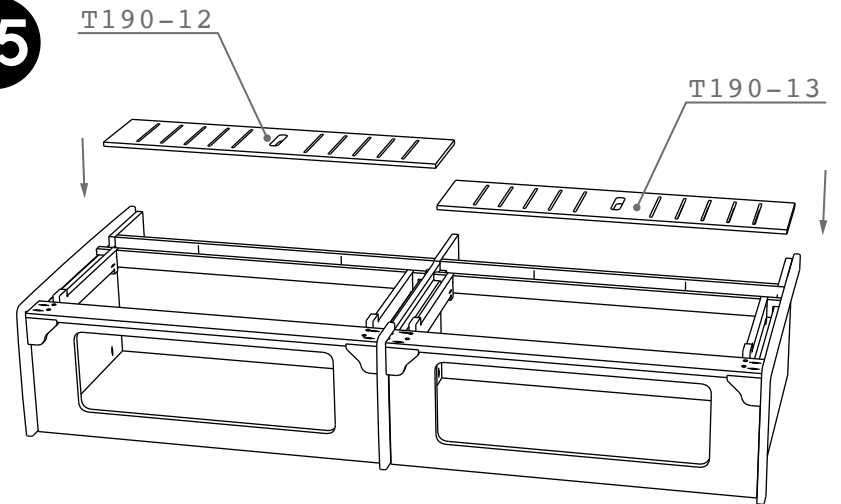
13



14

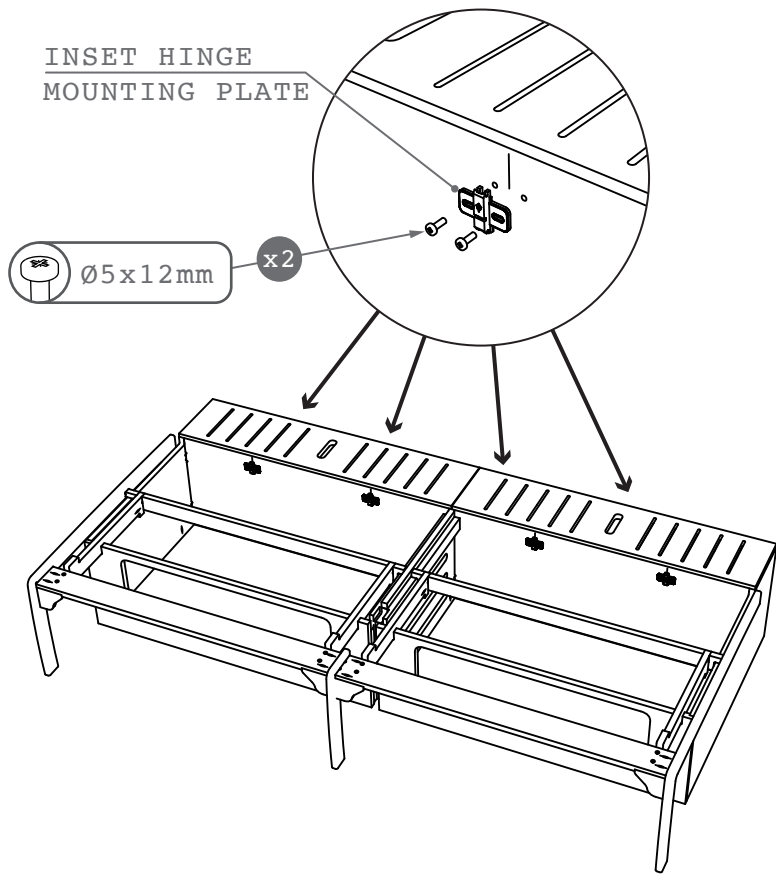


15



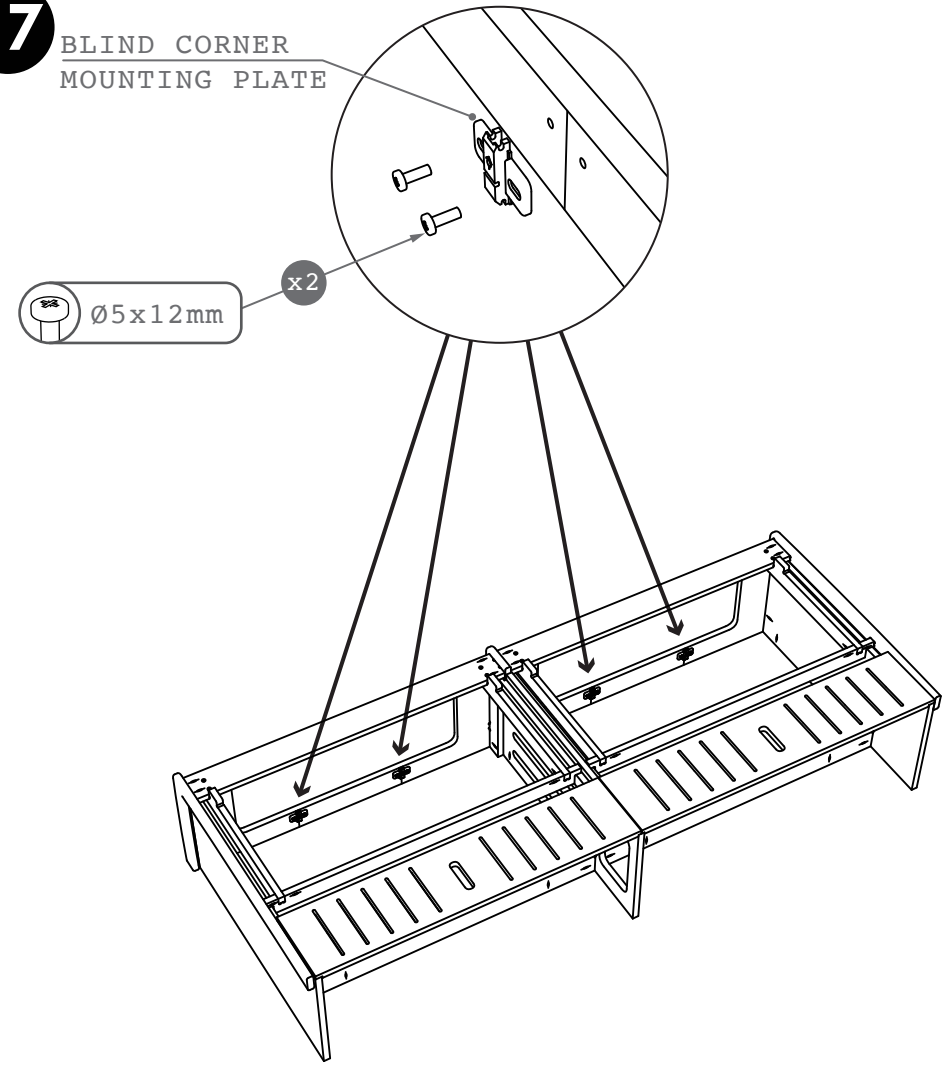
# CARRIAGE ASSEMBLY

16



17

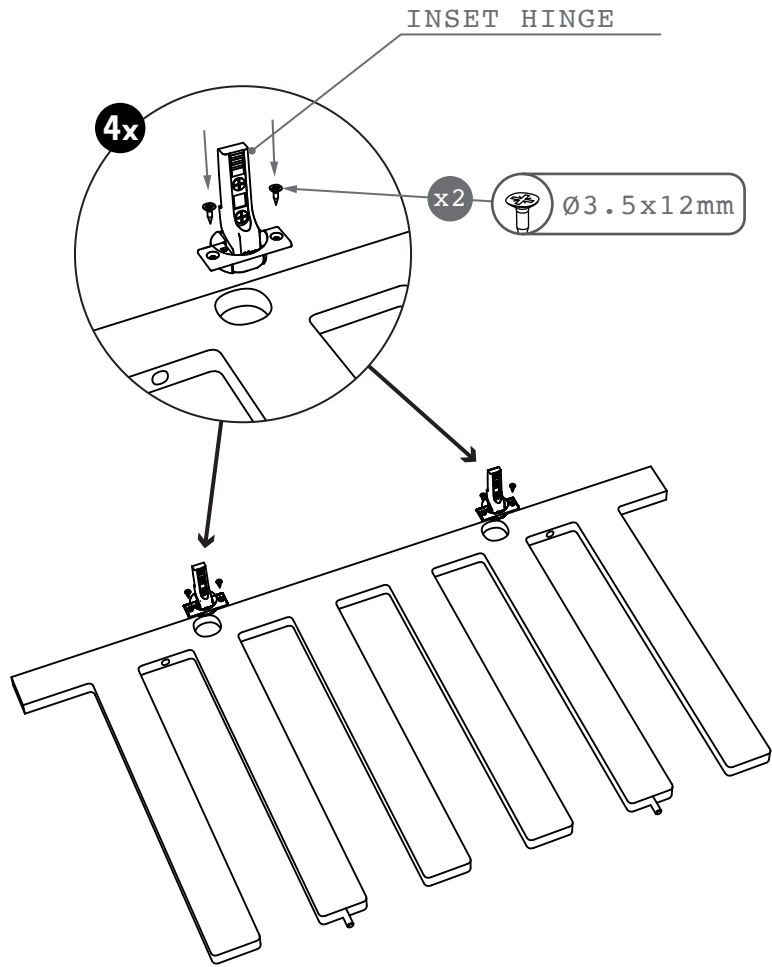
BLIND CORNER MOUNTING PLATE



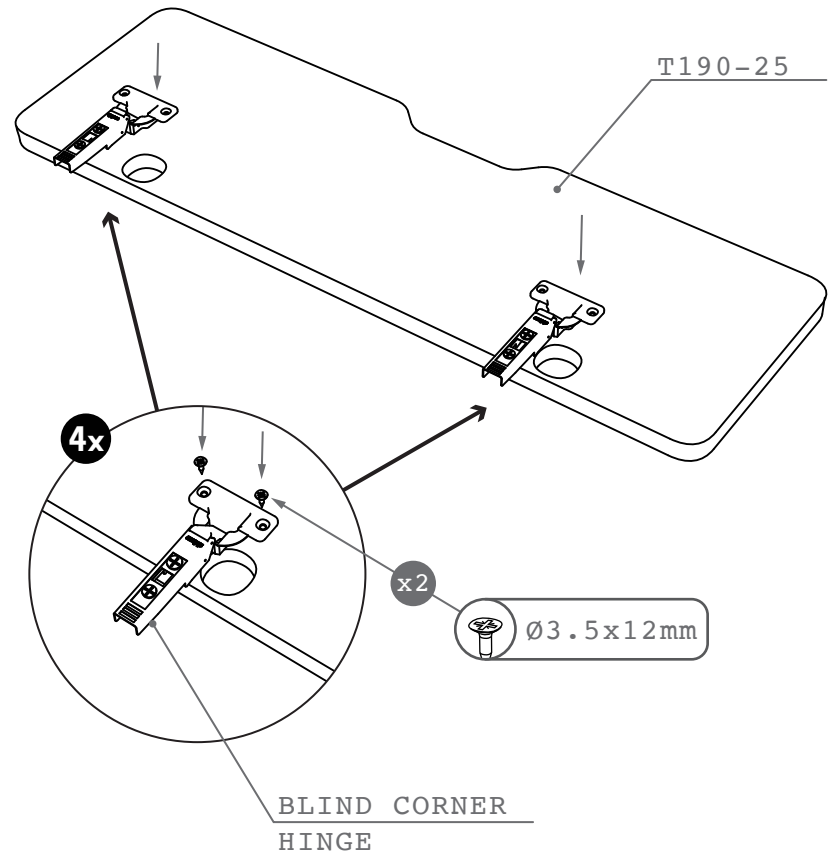
# MOUNTING PLATES



18

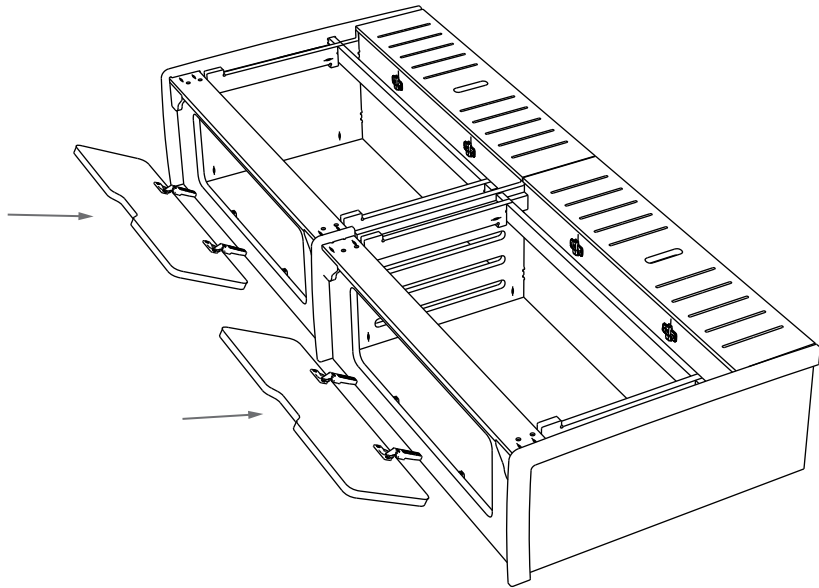


19

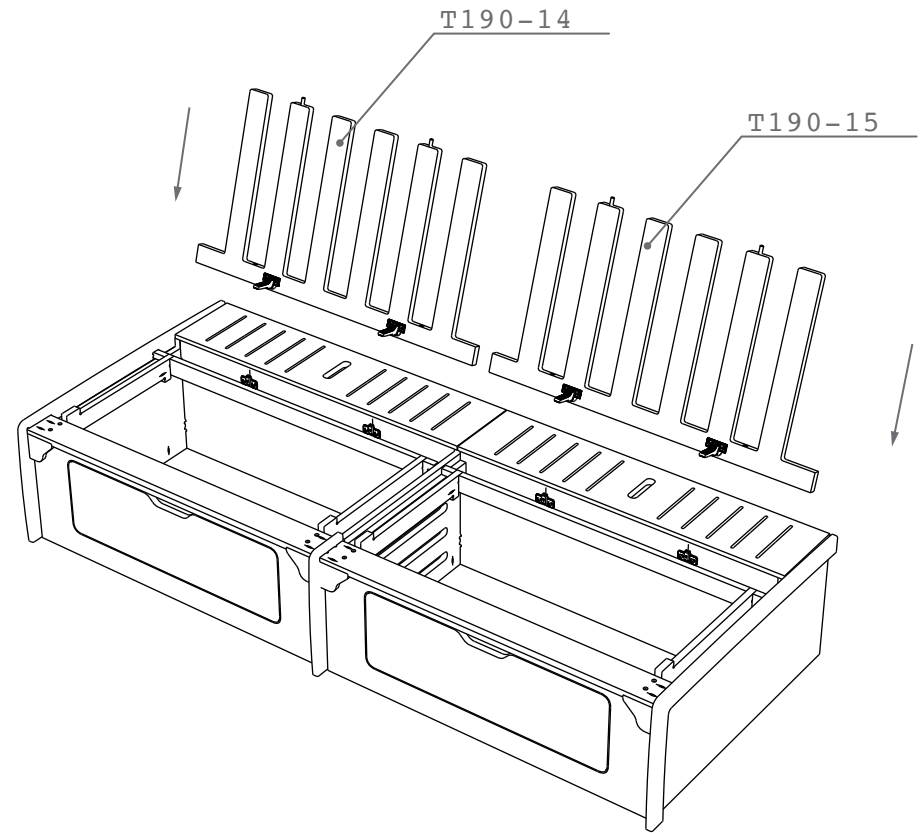


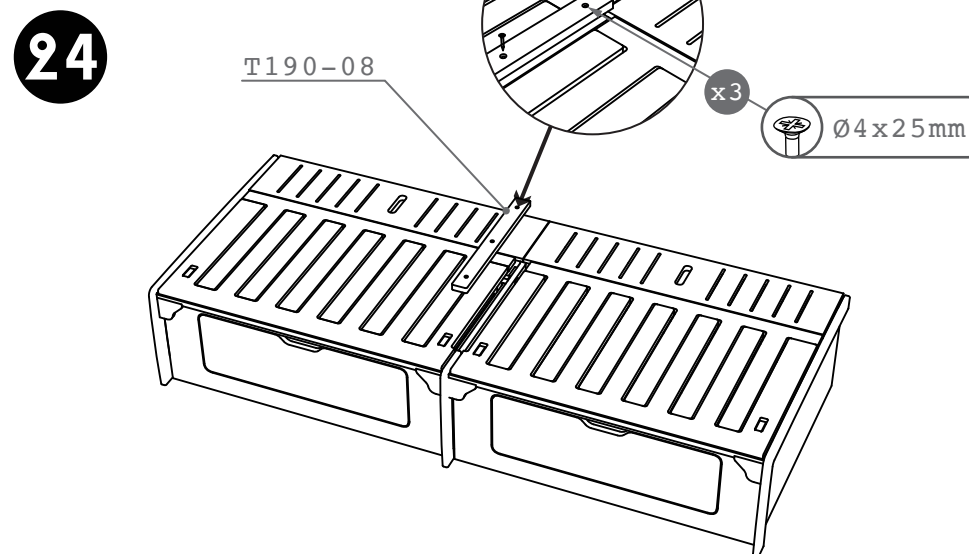
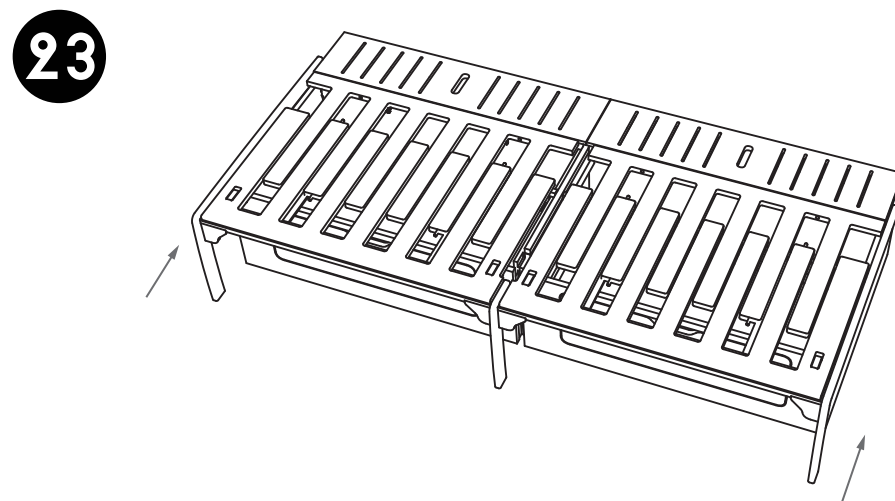
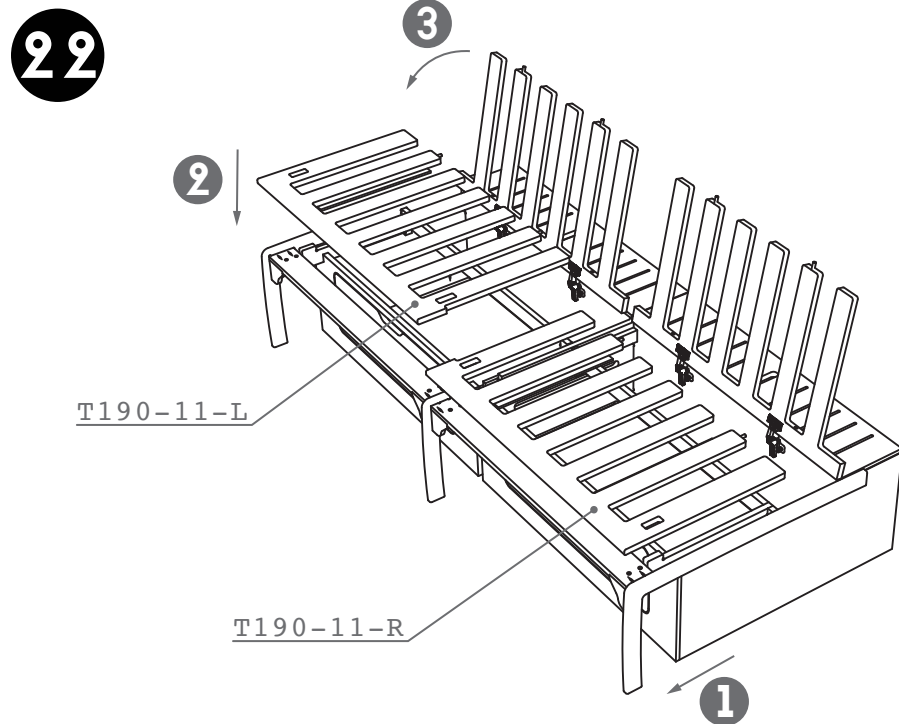
# HINGES

20



21





## ADJUSTMENTS

USE THE SCREWS ON THE HINGES AND MOUNTING PLATES TO MOVE THE SLATS AND CUPBOARD DOORS UP, DOWN AND SIDE TO SIDE.

## SUPPORT

IF YOU NEED HELP WITH ASSEMBLY, PLEASE CALL OR EMAIL TOM USING THE CONTACT DETAILS AT THE BOTTOM OF THE PAGE.



# SLATS